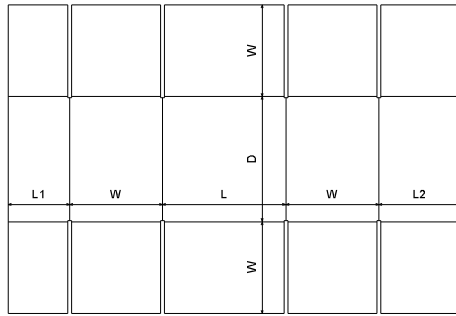
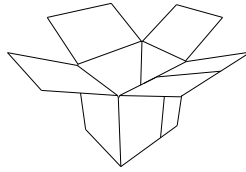


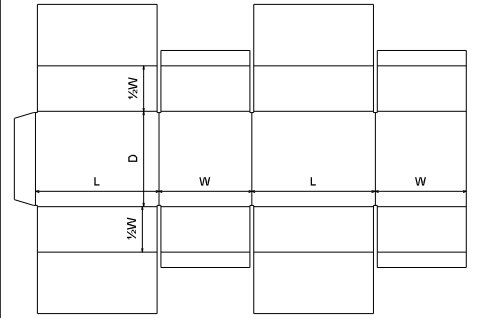
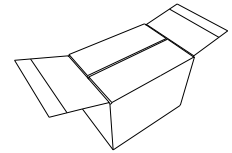
$$W1 + W2 = W + GL$$

FEFCO 0231

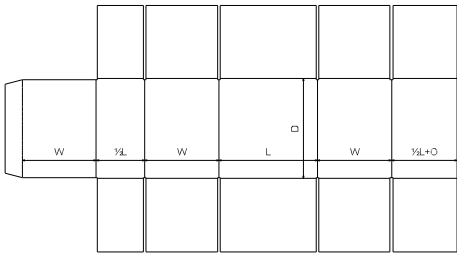
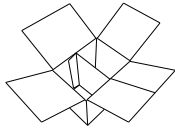


$$L1 + L2 = L + GL$$

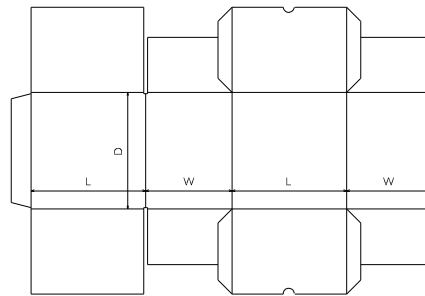
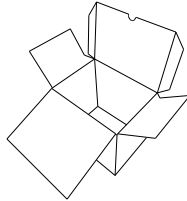
FEFCO 0230



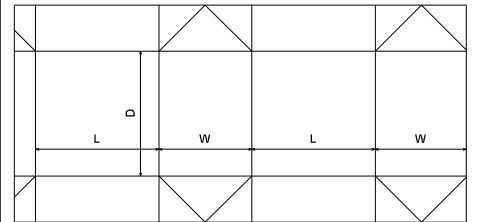
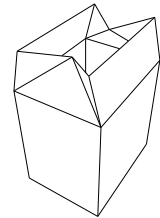
FEFCO 0229



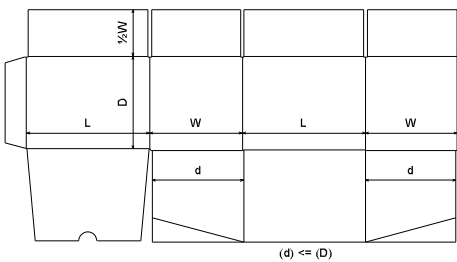
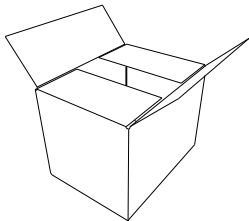
FEFCO 0228



FEFCO 0227

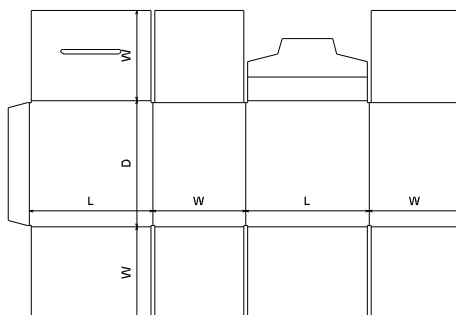
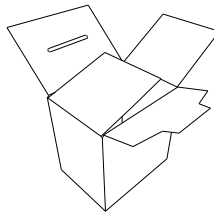


FEFCO 0226

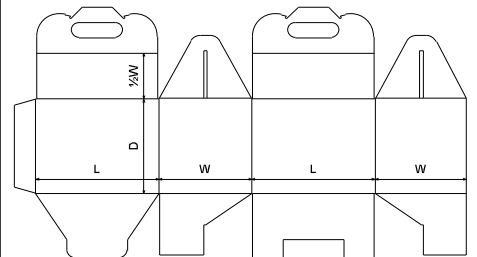
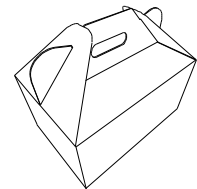


$$(d) \leq (D)$$

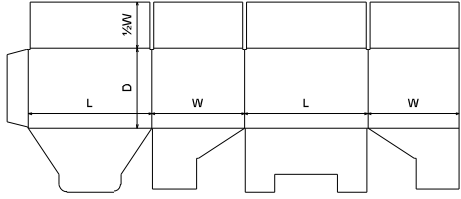
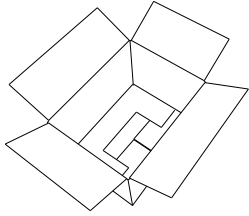
FEFCO 0225



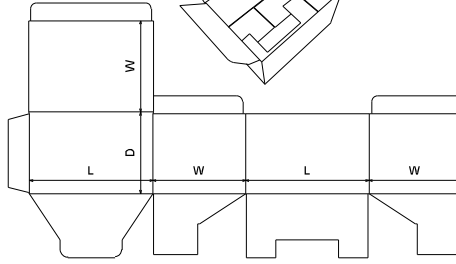
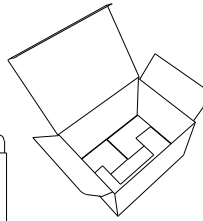
FEFCO 0218



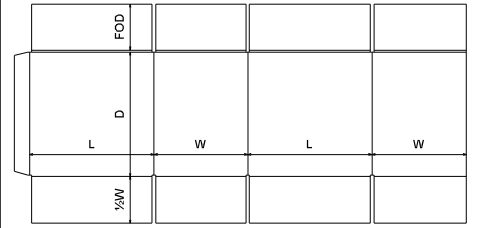
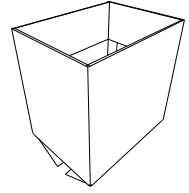
FEFCO 0217



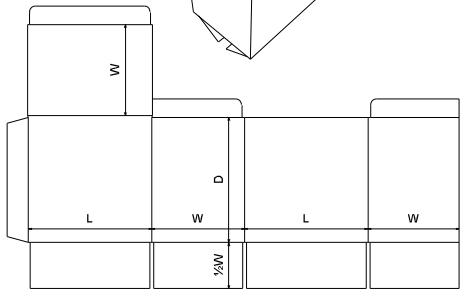
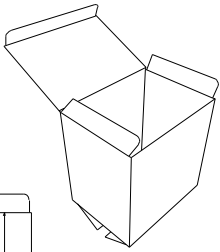
FEFCO 0216



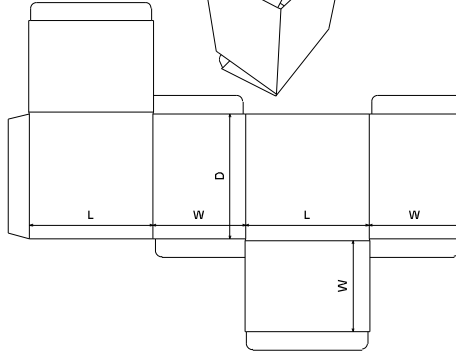
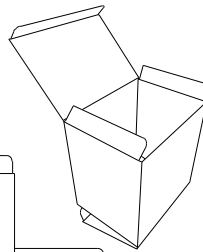
FEFCO 0215



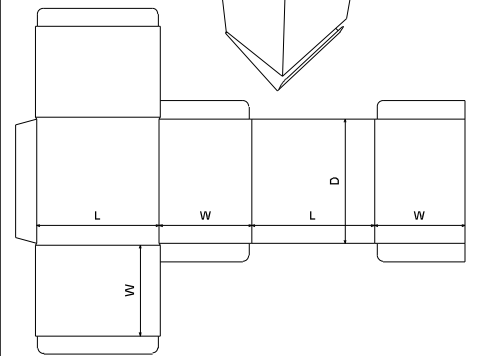
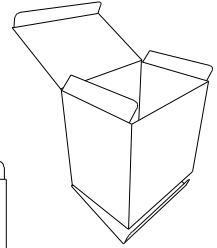
FEFCO 0214



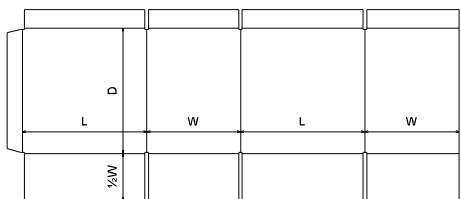
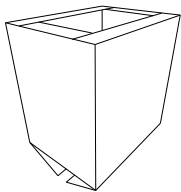
FEFCO 0212



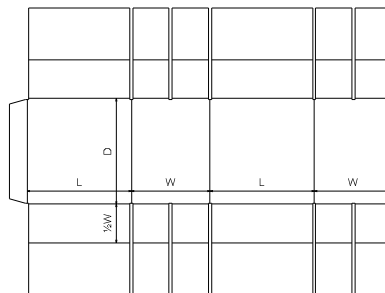
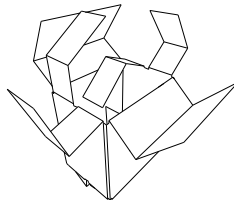
FEFCO 0211



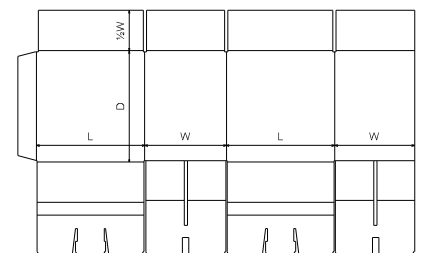
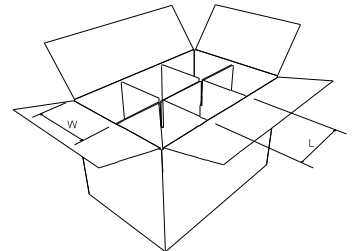
FEFCO 0210



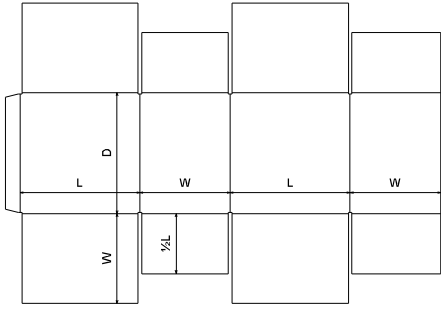
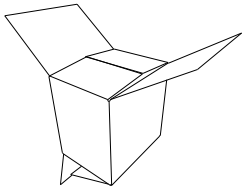
FEFCO 0209



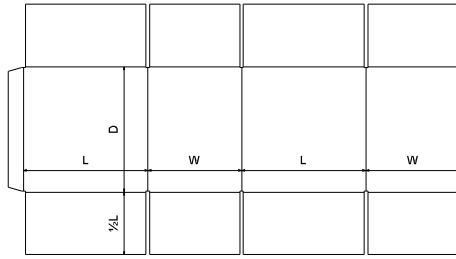
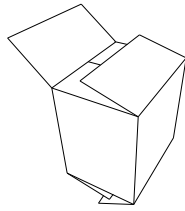
FEFCO 0208



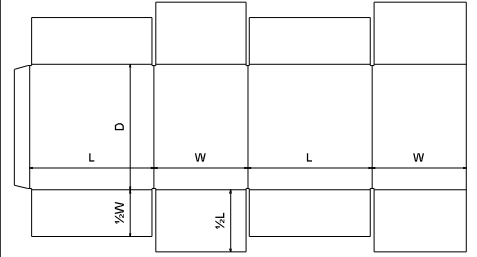
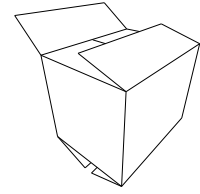
FEFCO 0207



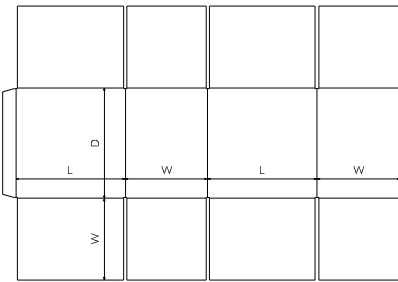
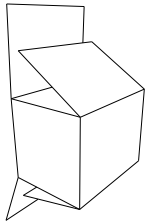
FEFCO 0206



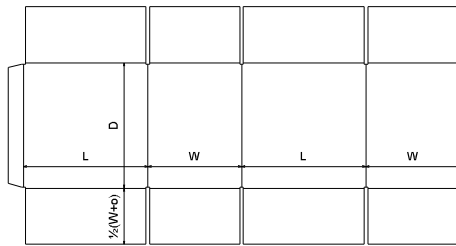
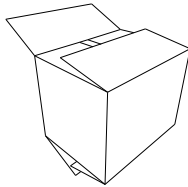
FEFCO 0205



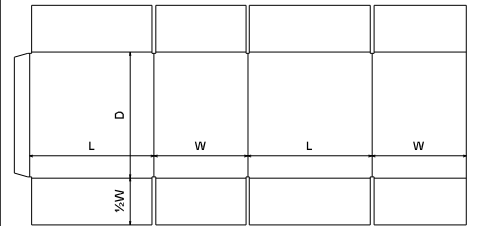
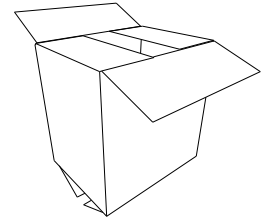
FEFCO 0204



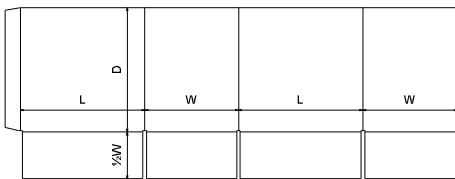
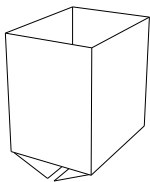
FEFCO 0203



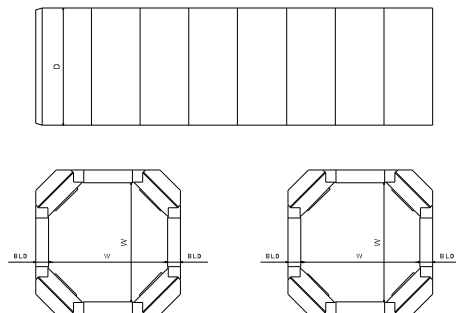
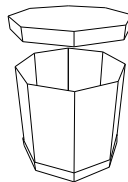
FEFCO 0202



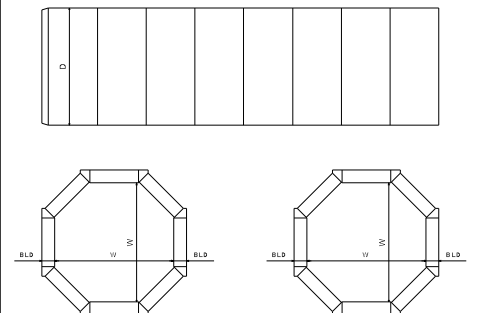
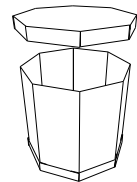
FEFCO 0201



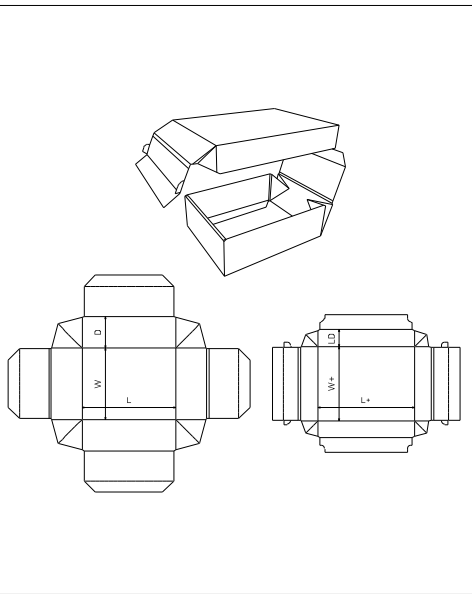
FEFCO 0200



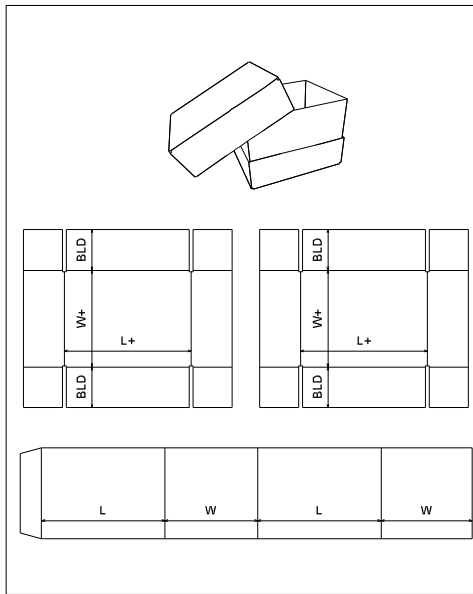
FEFCO 0351



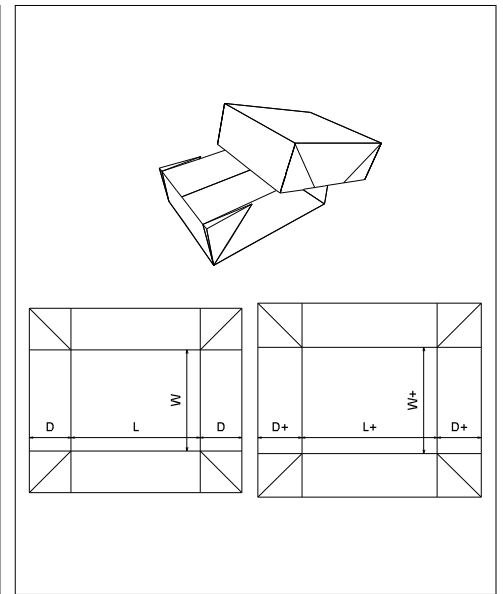
FEFCO 0350



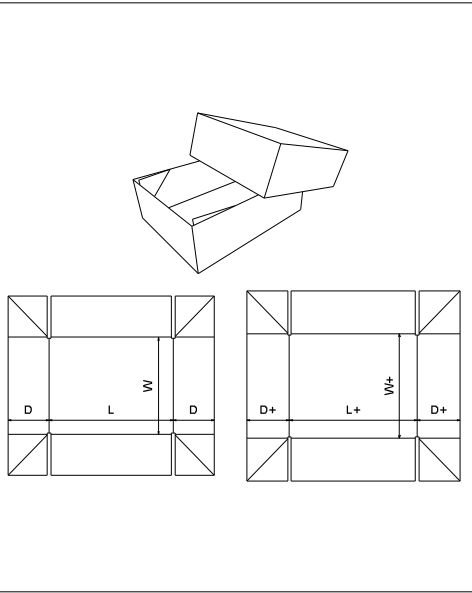
FEFCO 0323



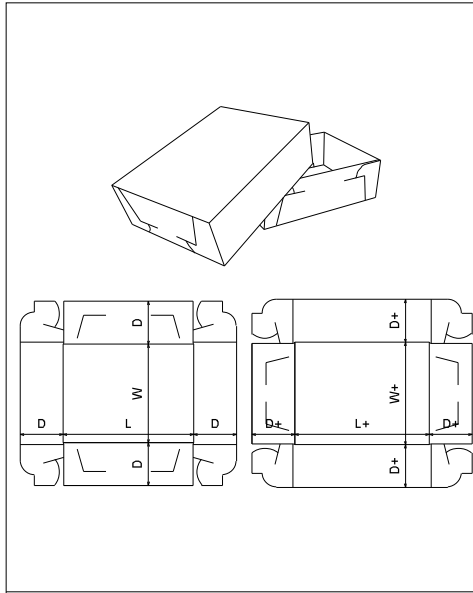
FEFCO 0310



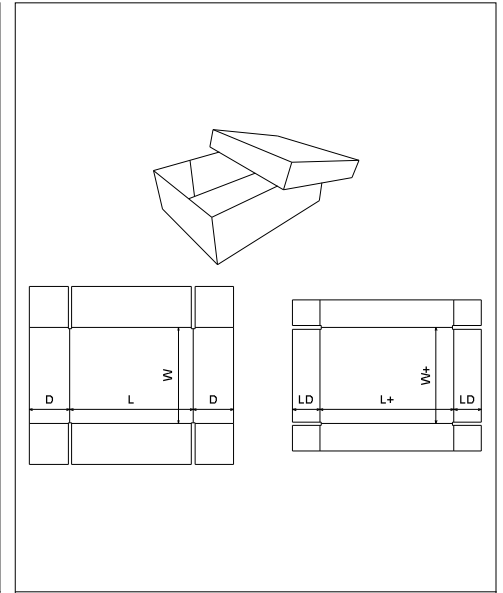
FEFCO 0309



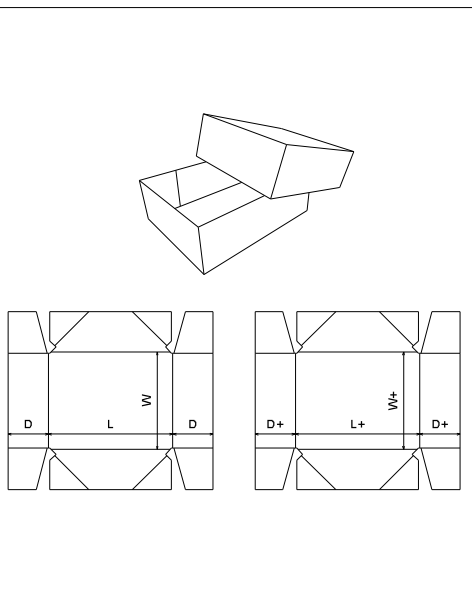
FEFCO 0308



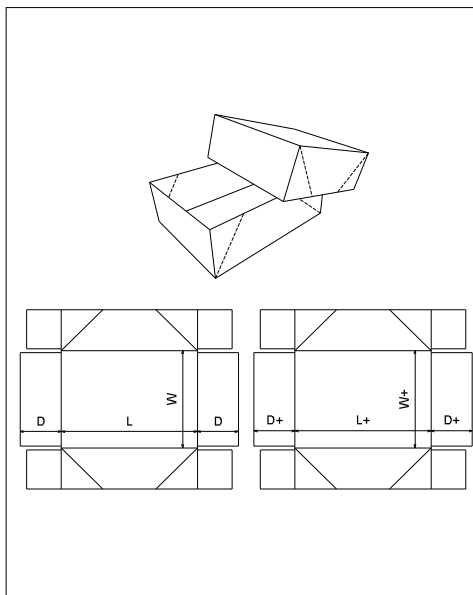
FEFCO 0307



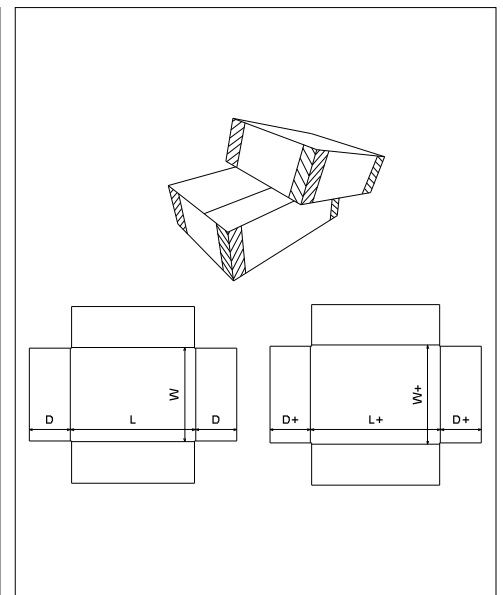
FEFCO 0306



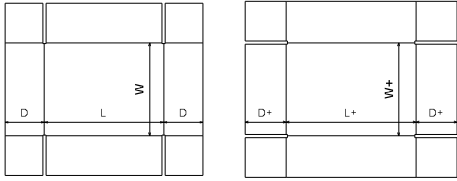
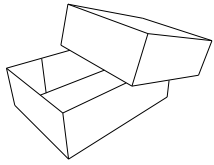
FEFCO 0304



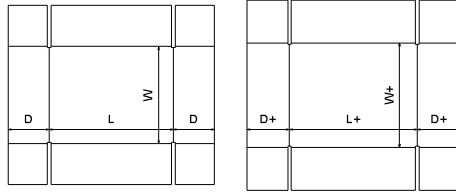
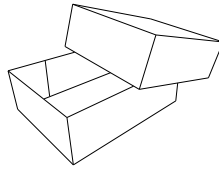
FEFCO 0303



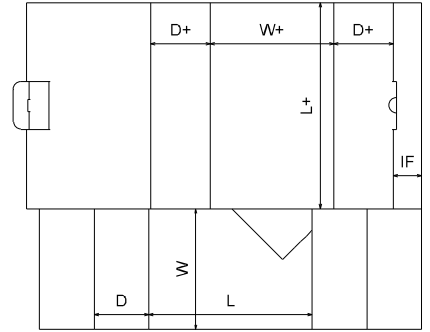
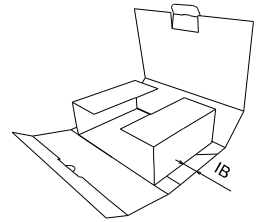
FEFCO 0302



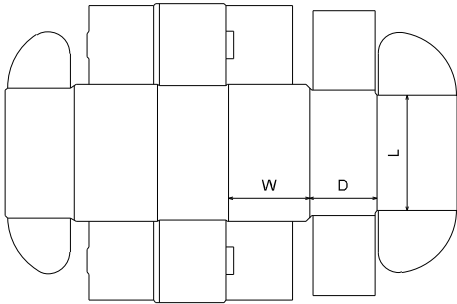
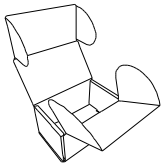
FEFCO 0301



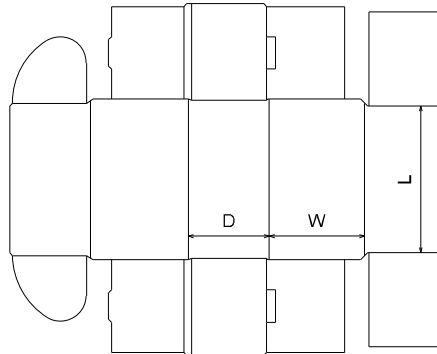
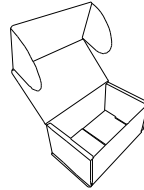
FEFCO 0300



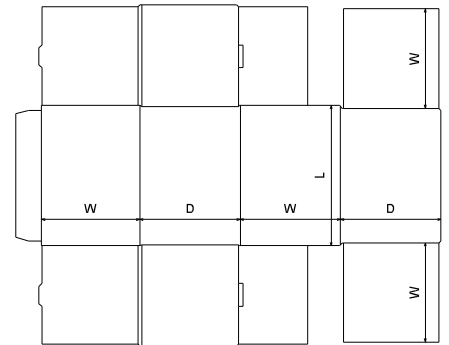
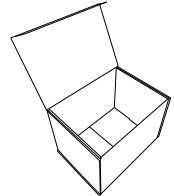
FEFCO 0473



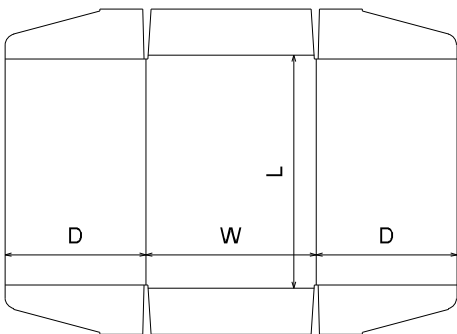
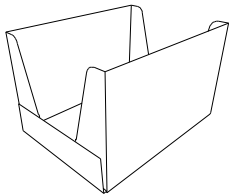
FEFCO 0472



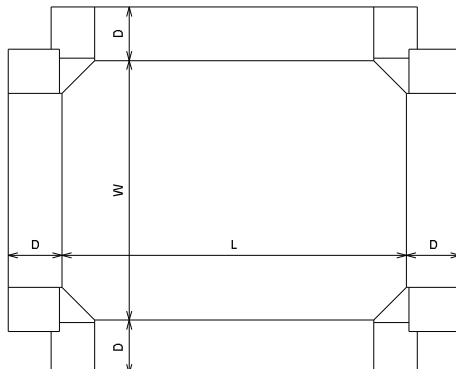
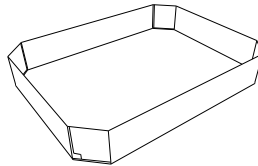
FEFCO 0471



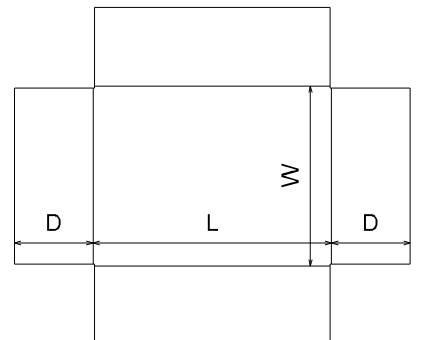
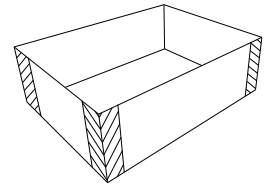
FEFCO 0470



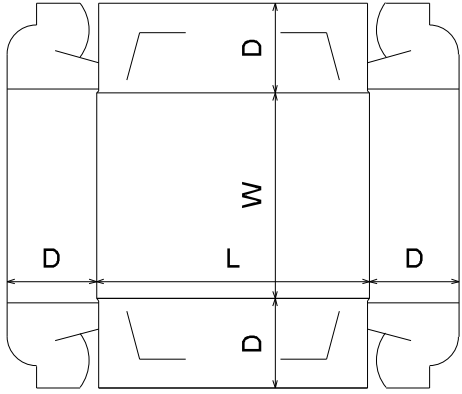
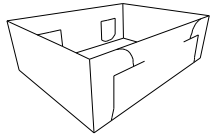
FEFCO 0460



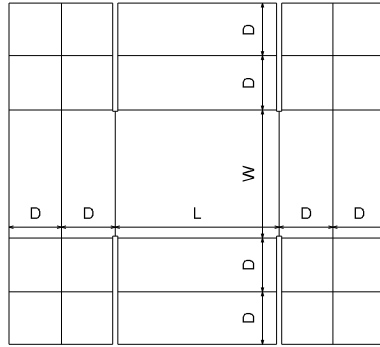
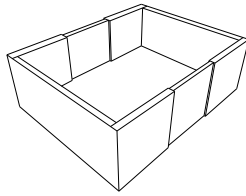
FEFCO 0459



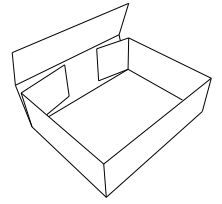
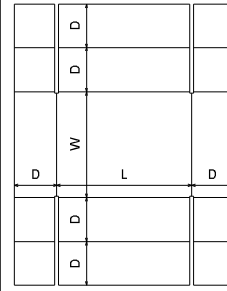
FEFCO 0458



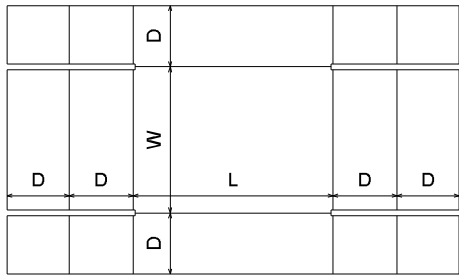
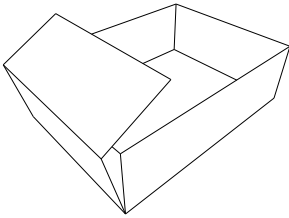
FEFCO 0457



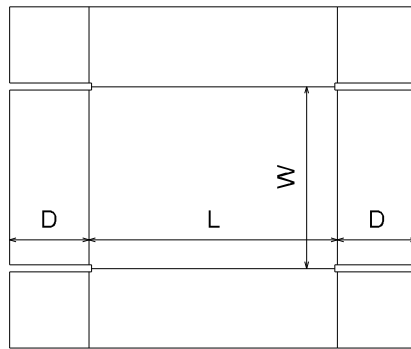
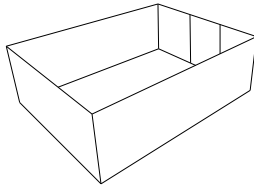
FEFCO 0456



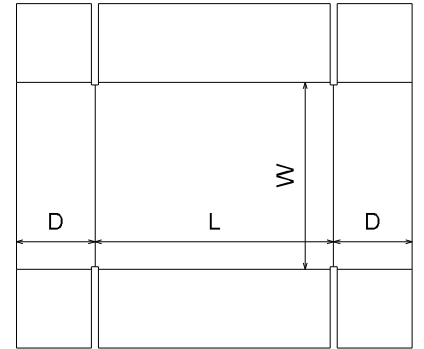
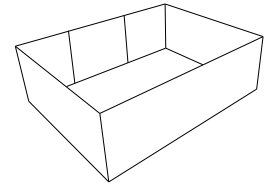
FEFCO 0455



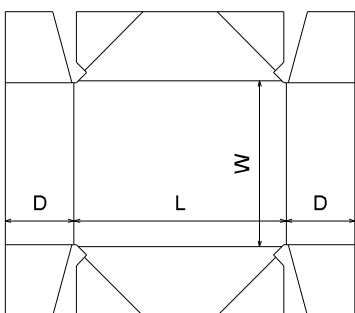
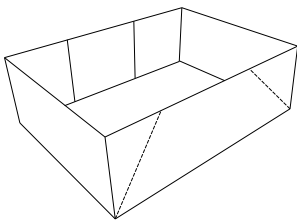
FEFCO 0454



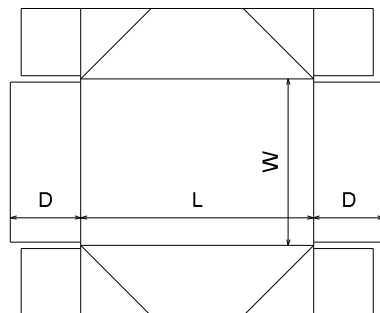
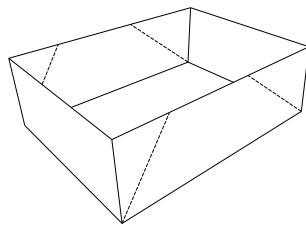
FEFCO 0453



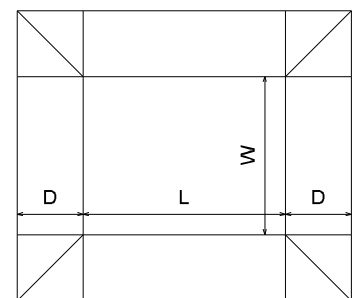
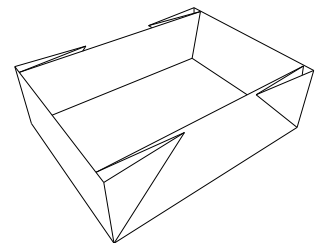
FEFCO 0452



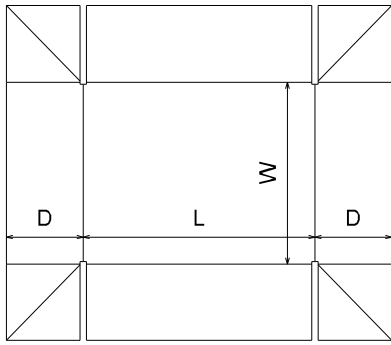
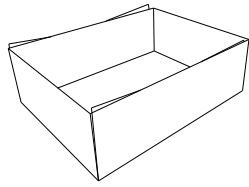
FEFCO 0451



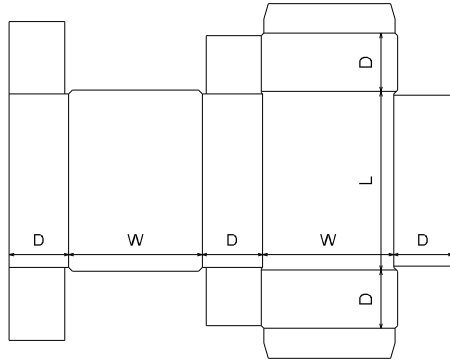
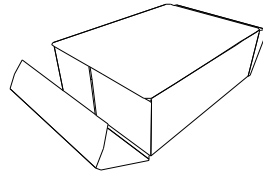
FEFCO 0450



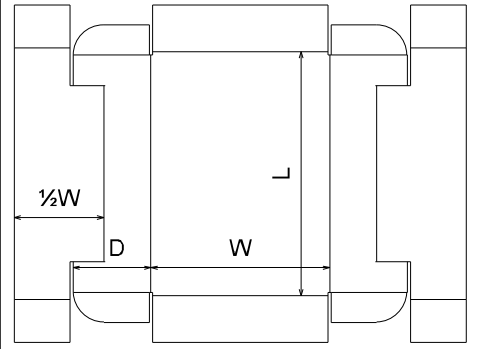
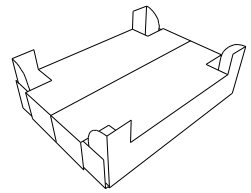
FEFCO 0449



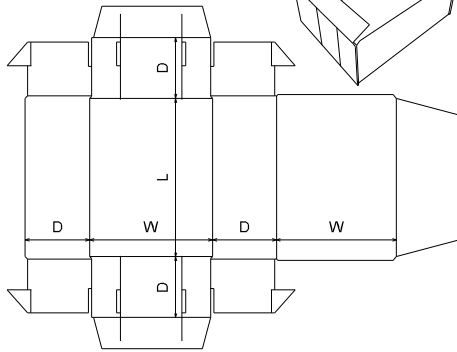
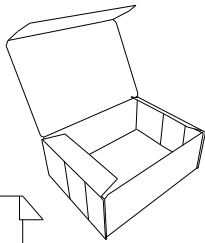
FEFCO 0448



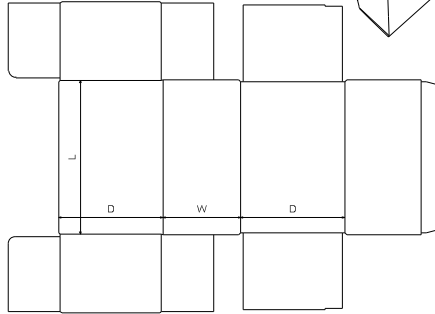
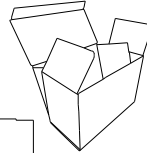
FEFCO 0447



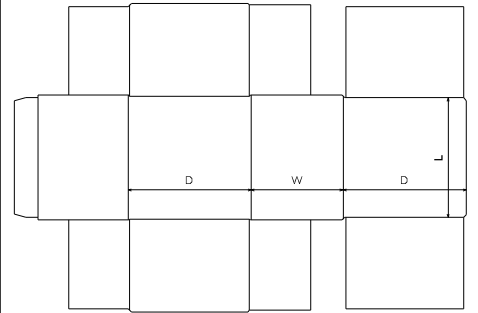
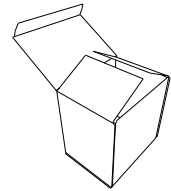
FEFCO 0446



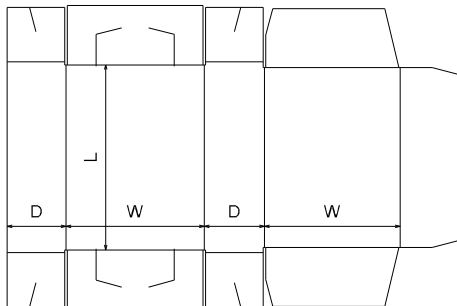
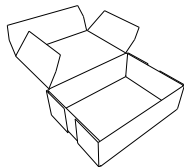
FEFCO 0445



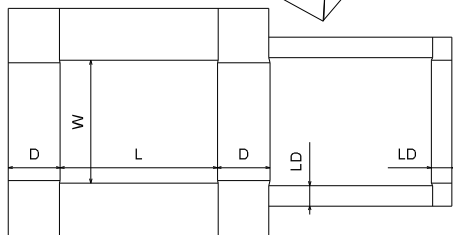
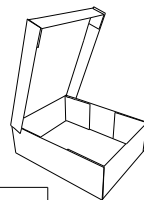
FEFCO 0444



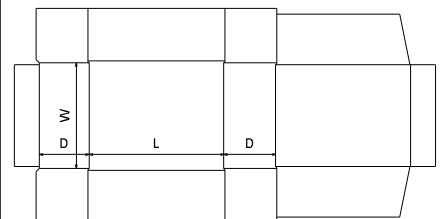
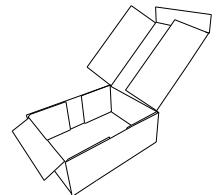
FEFCO 0443



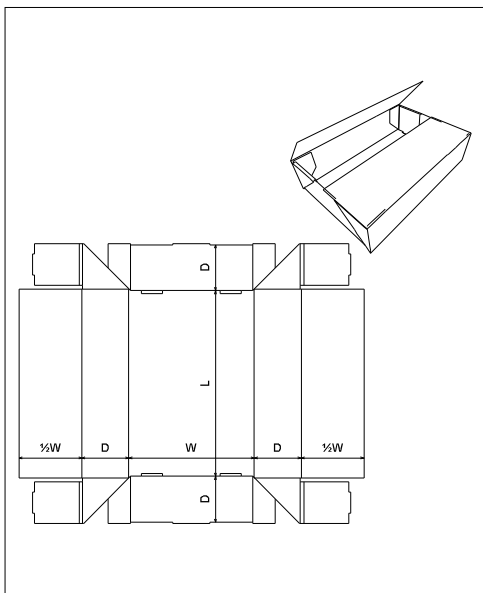
FEFCO 0442



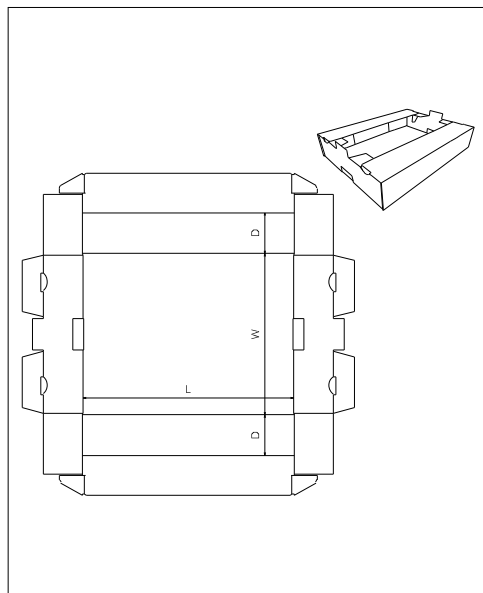
FEFCO 0441



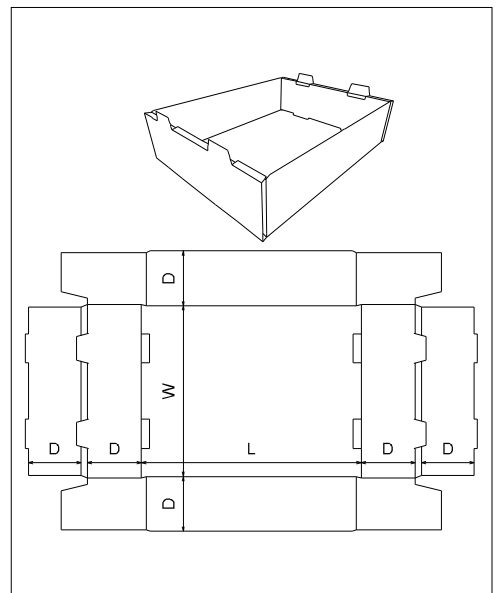
FEFCO 0440



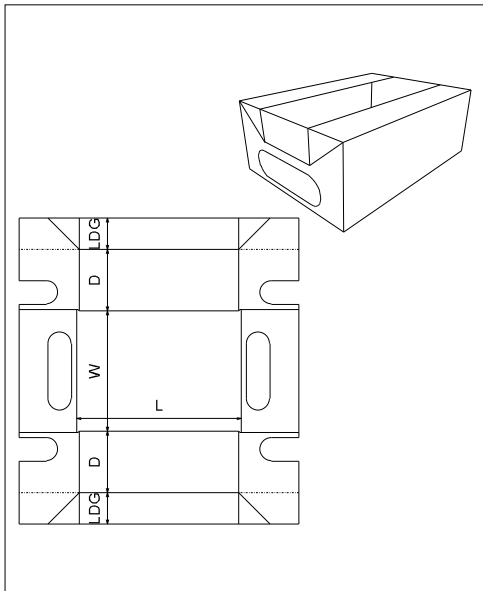
FEFCO 0437



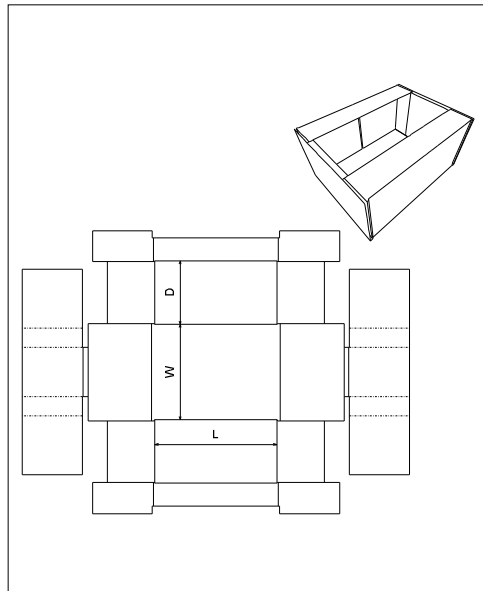
FEFCO 0436



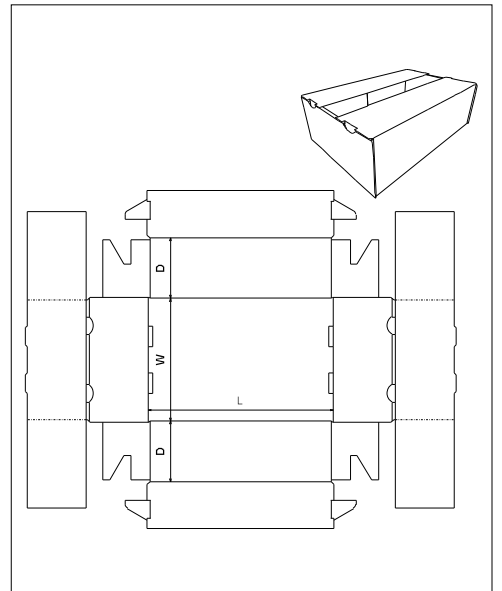
FEFCO 0435



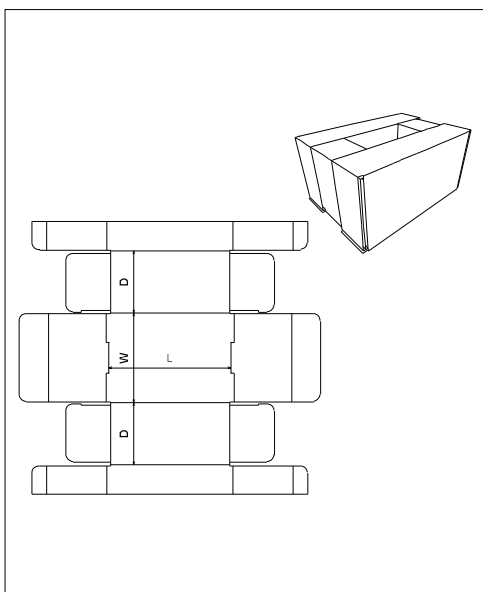
FEFCO 0434



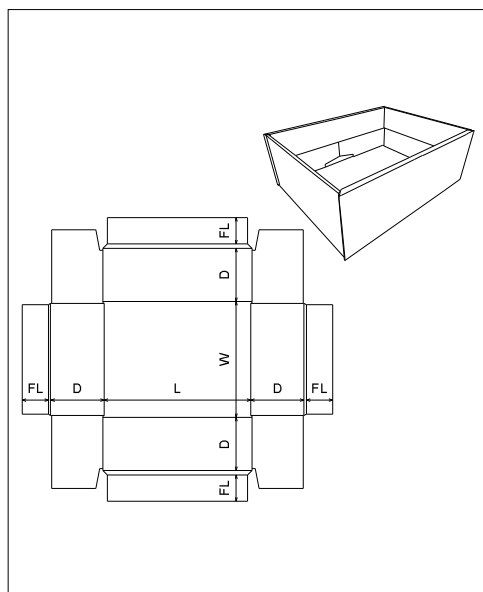
FEFCO 0433



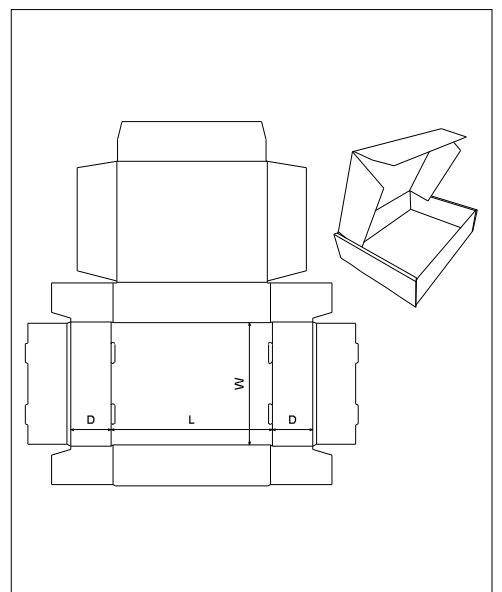
FEFCO 0432



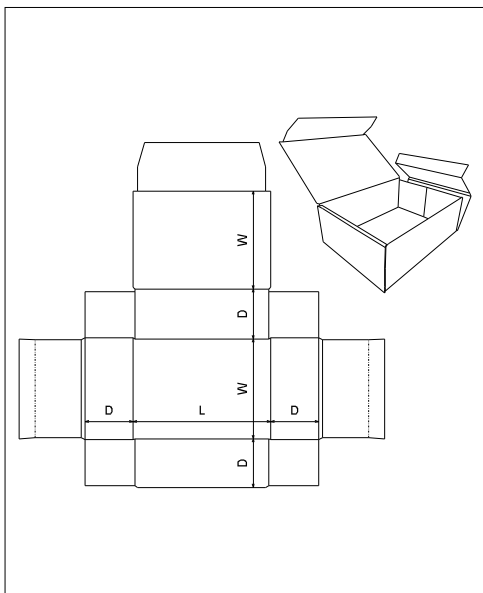
FEFCO 0431



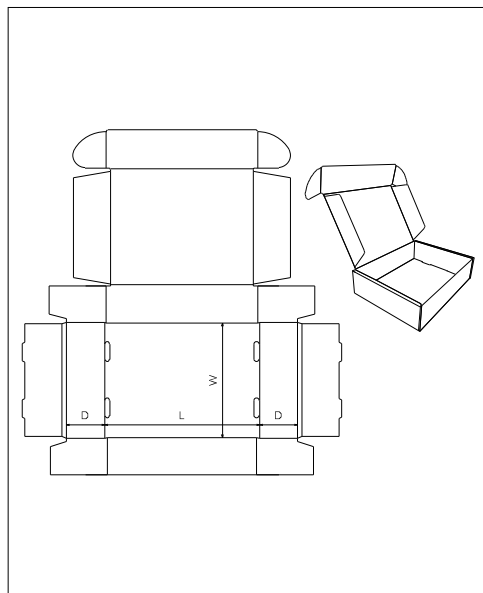
FEFCO 0430



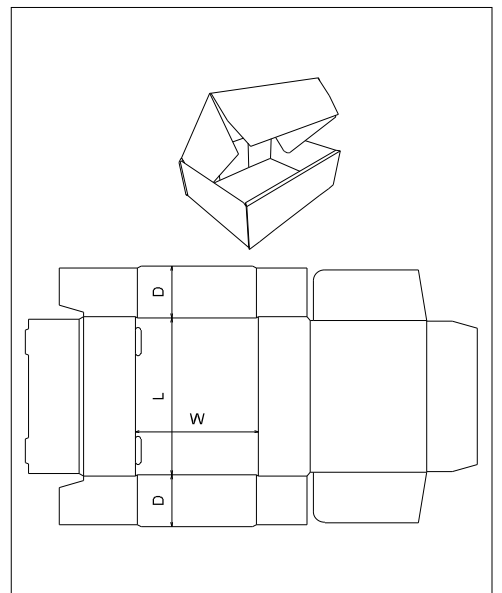
FEFCO 0429



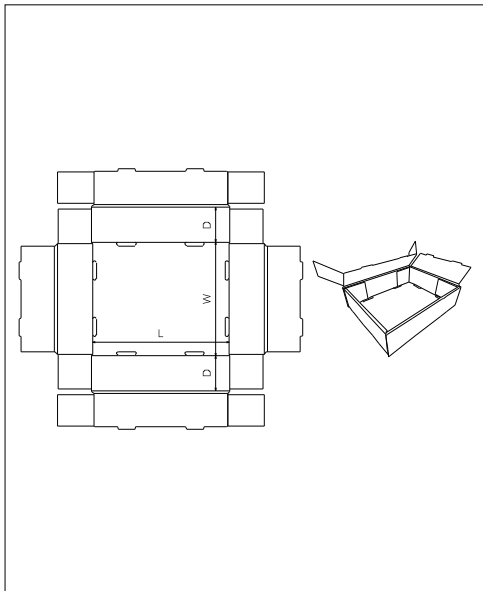
FEFCO 0428



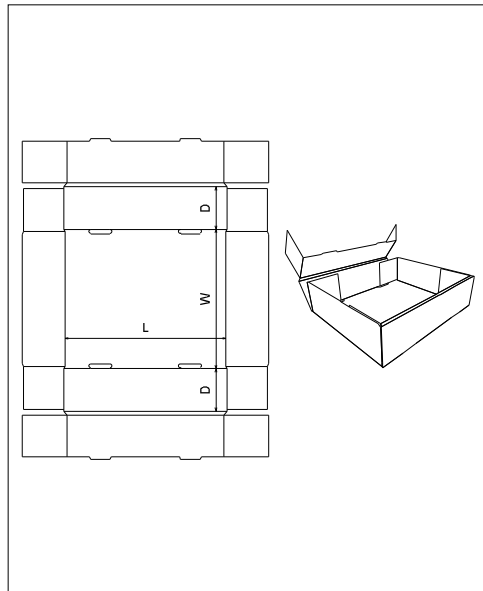
FEFCO 0427



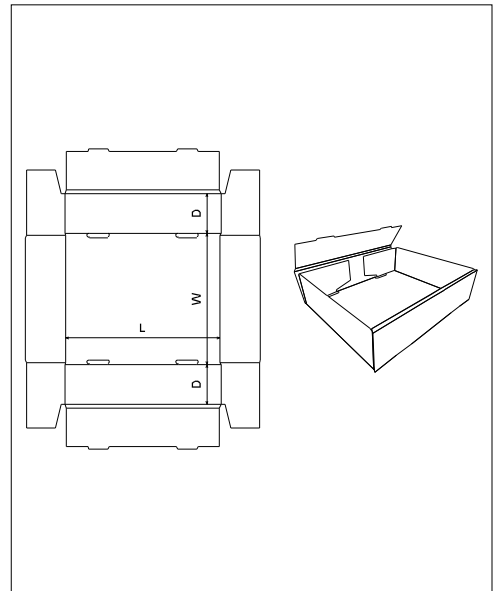
FEFCO 0426



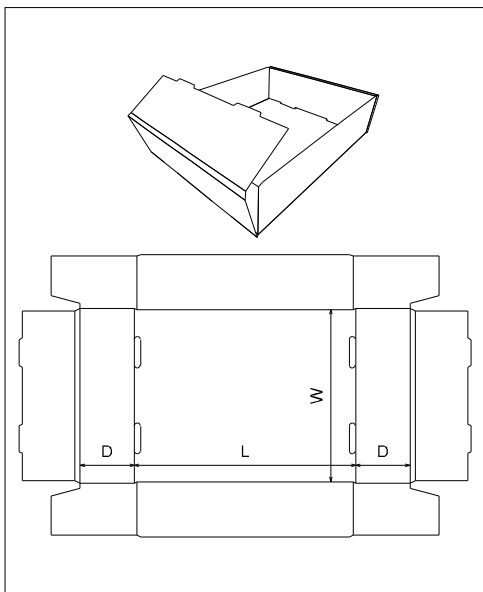
FEFCO 0425



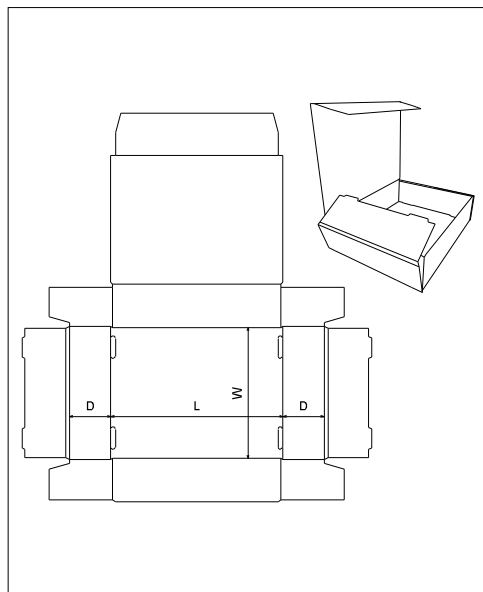
FEFCO 0424



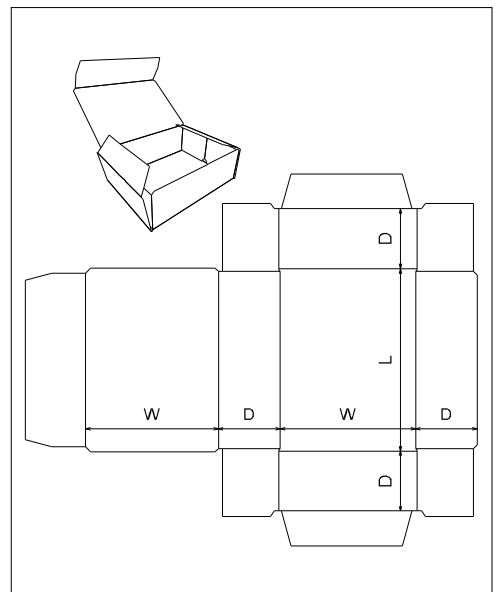
FEFCO 0423



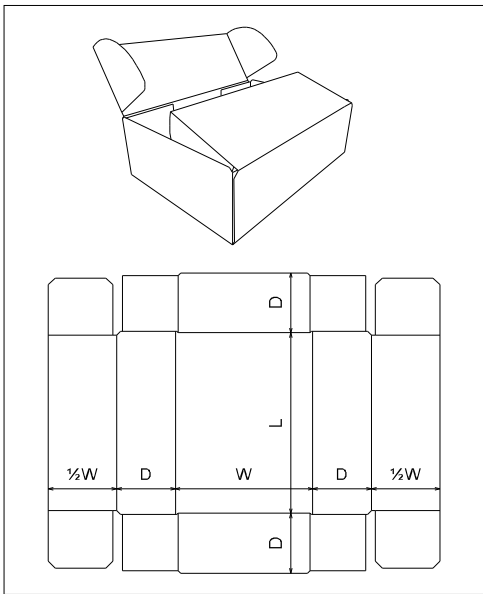
FEFCO 0422



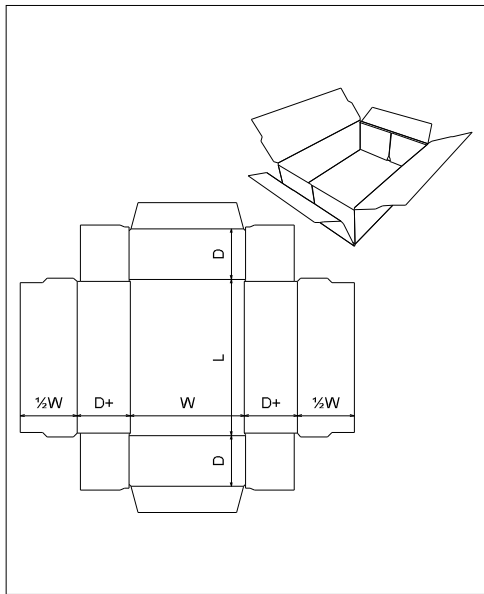
FEFCO 0421



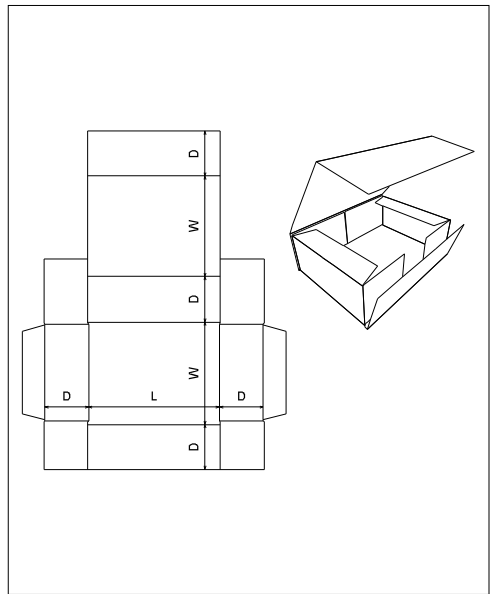
FEFCO 0420



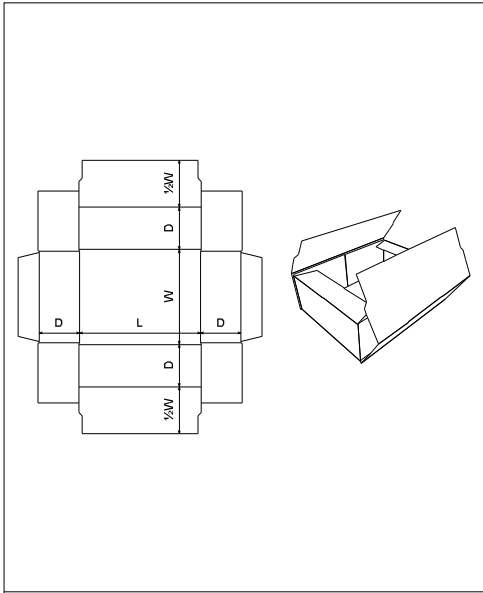
FEFCO 0416



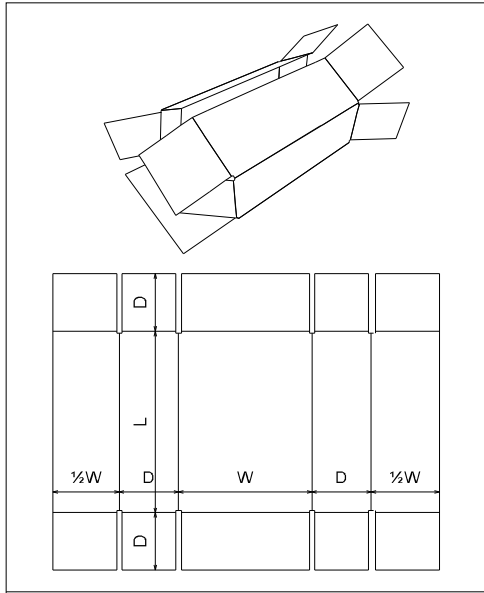
FEFCO 0415



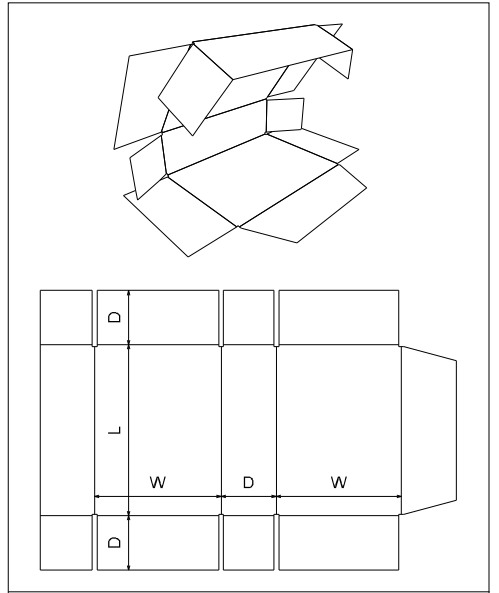
FEFCO 0413



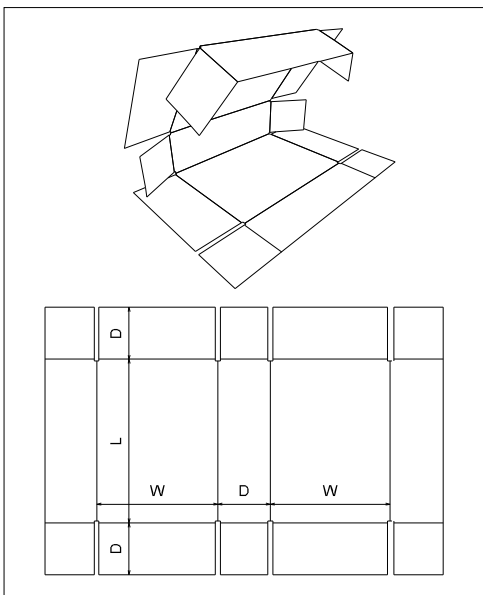
FEFCO 0412



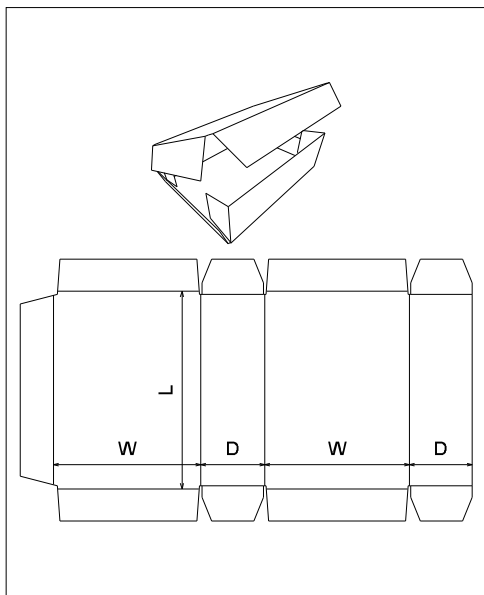
FEFCO 0411



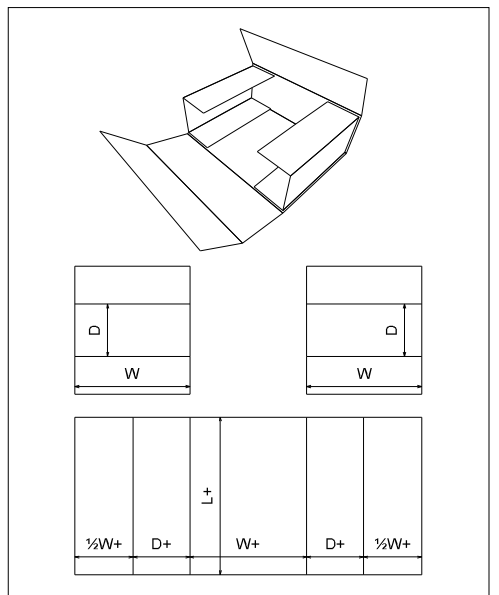
FEFCO 0410



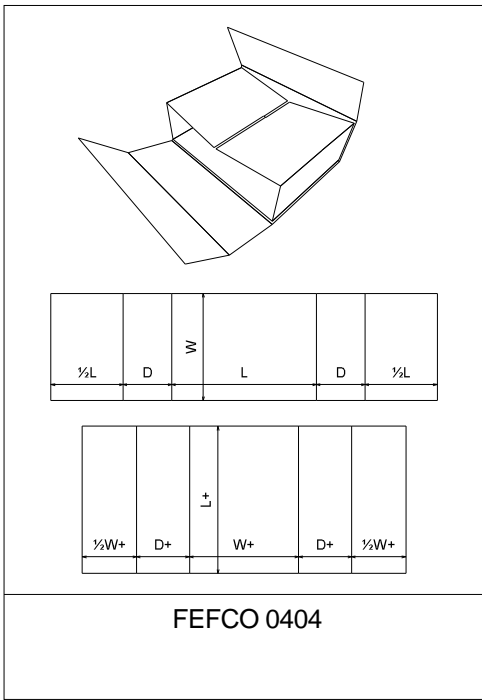
FEFCO 0409



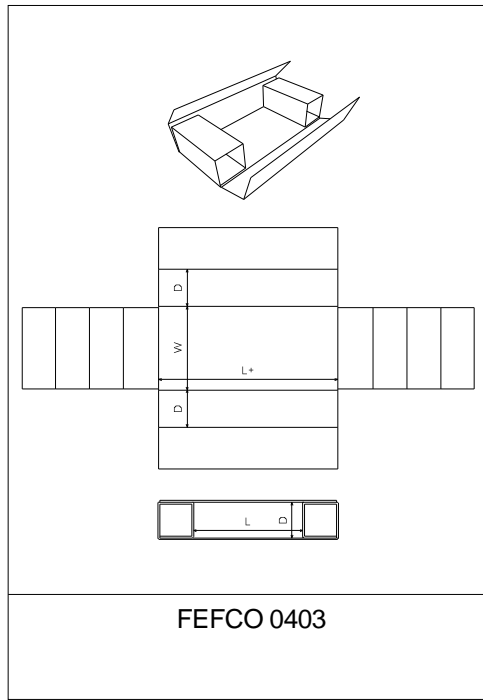
FEFCO 0406



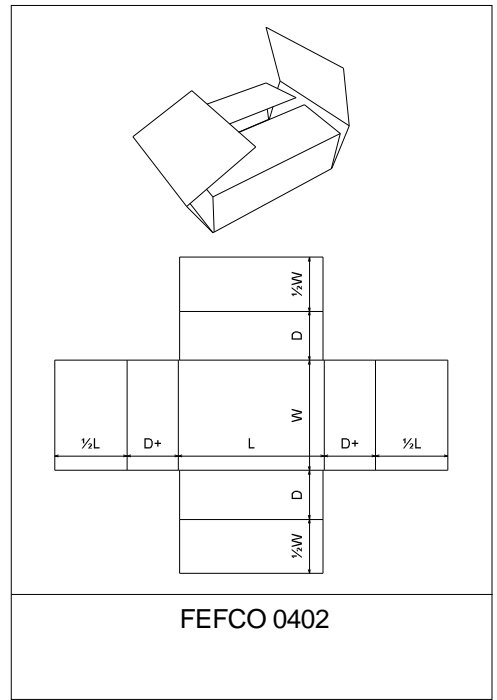
FEFCO 0405



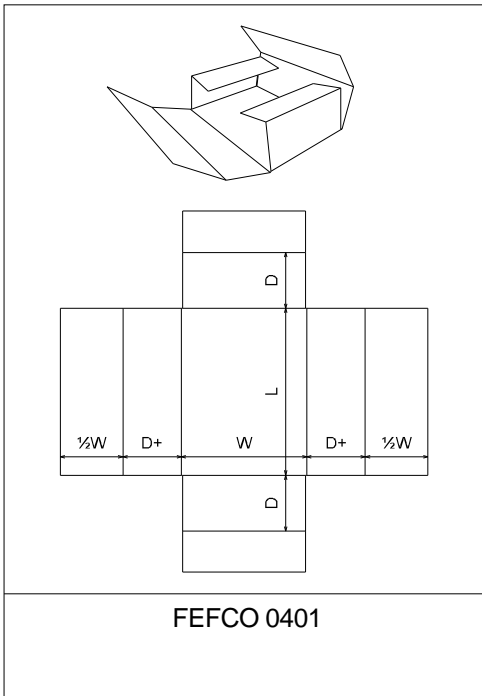
FEFCO 0404



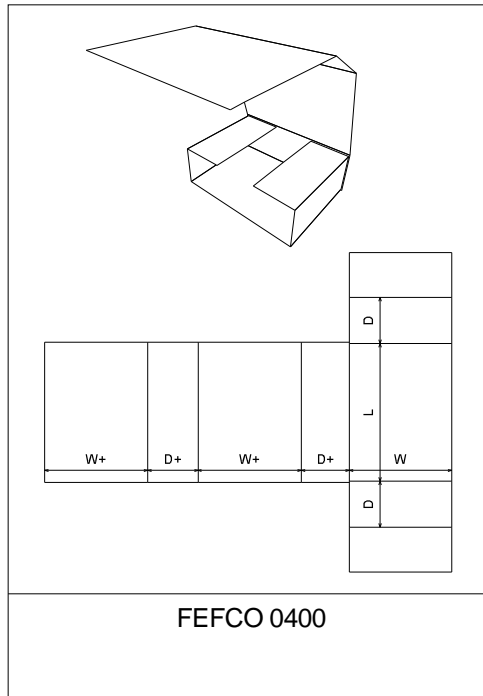
FEFCO 0403



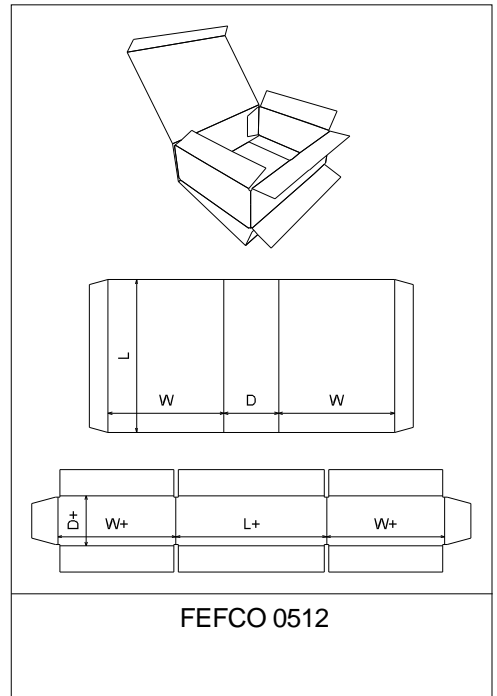
FEFCO 0402



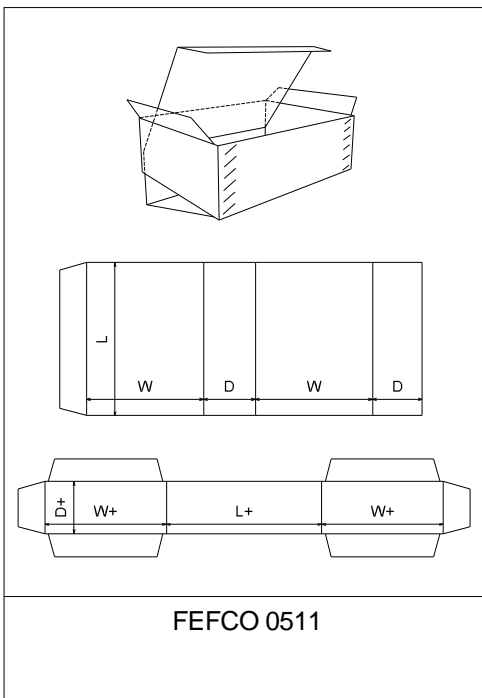
FEFCO 0401



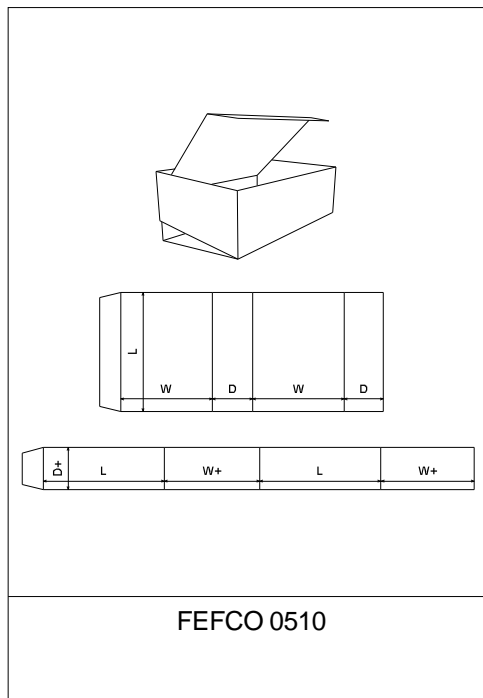
FEFCO 0400



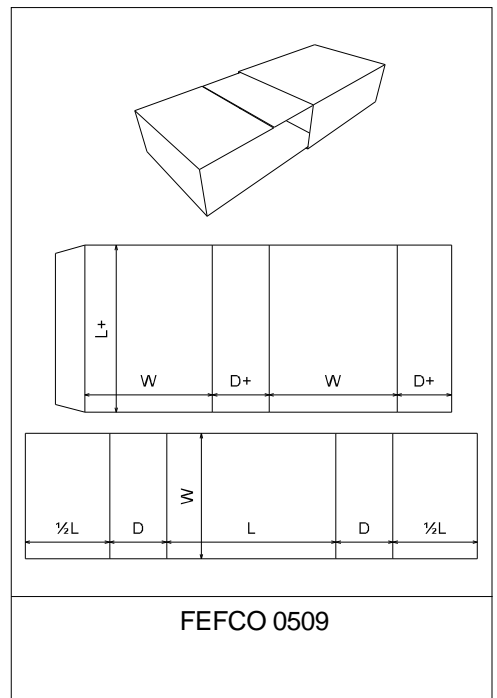
FEFCO 0512



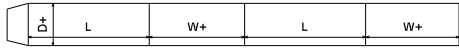
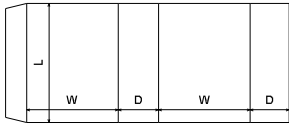
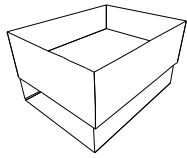
FEFCO 0511



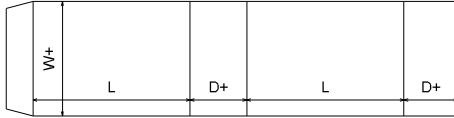
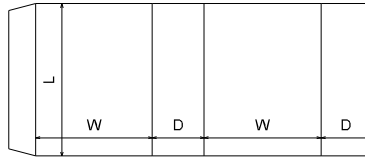
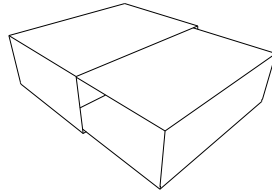
FEFCO 0510



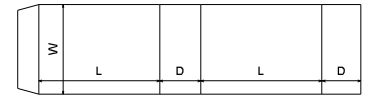
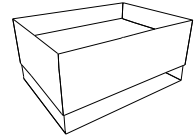
FEFCO 0509



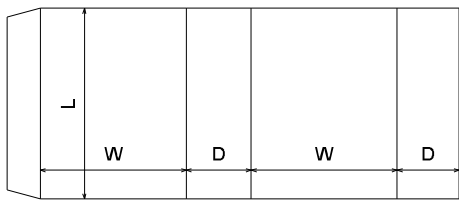
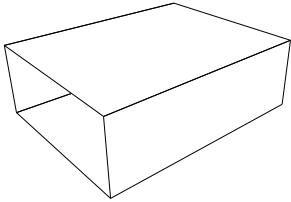
FEFCO 0507



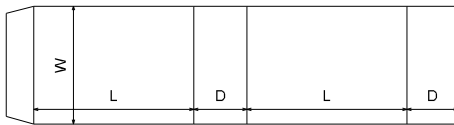
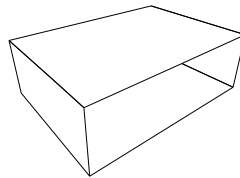
FEFCO 0505



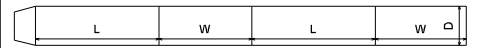
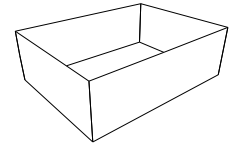
FEFCO 0504



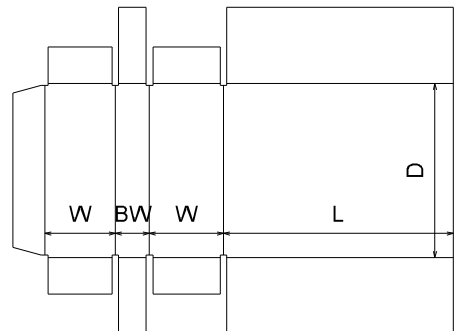
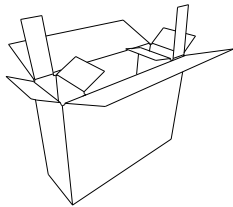
FEFCO 0503



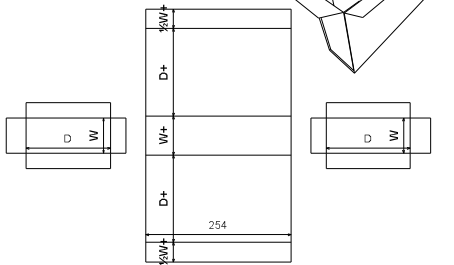
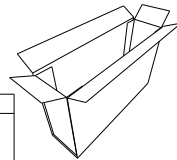
FEFCO 0502



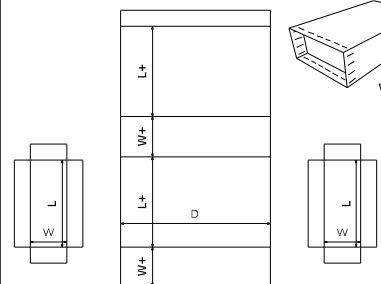
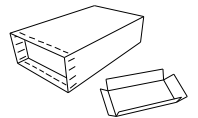
FEFCO 0501



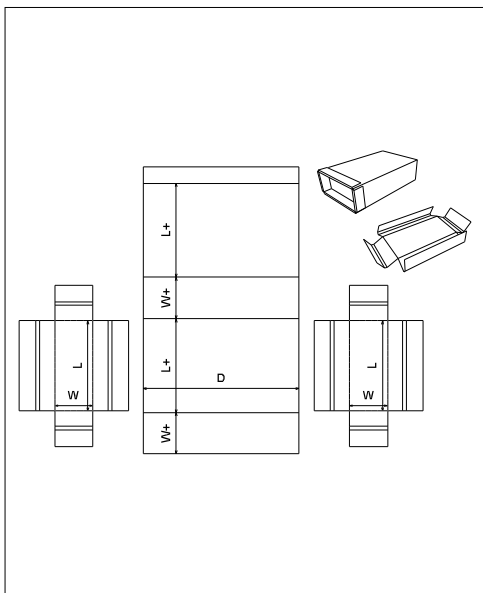
FEFCO 0621



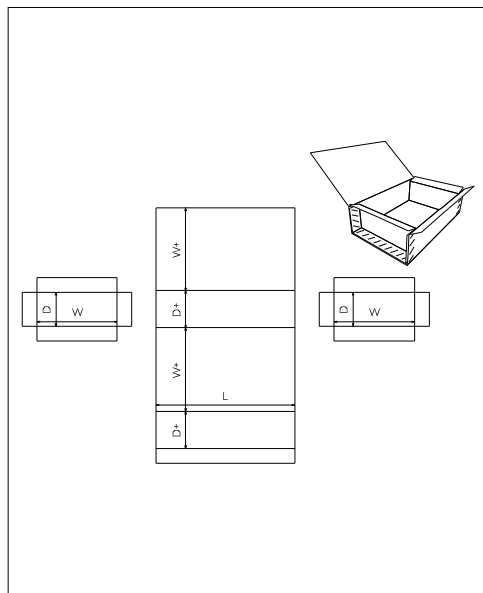
FEFCO 0620



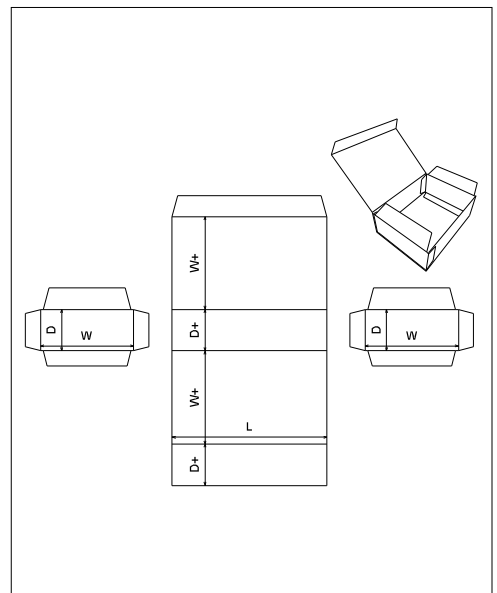
FEFCO 0616



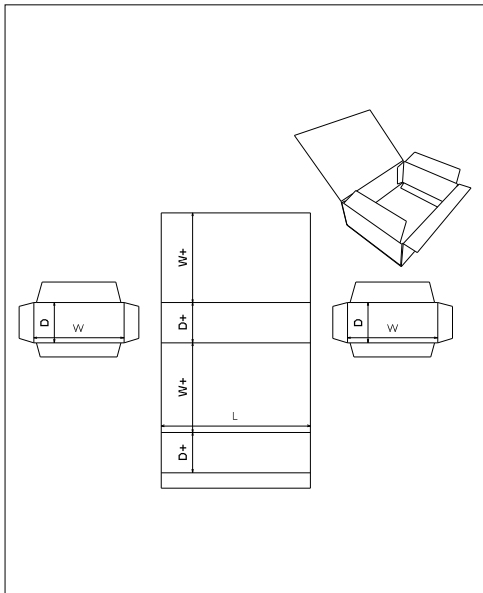
FEFCO 0615



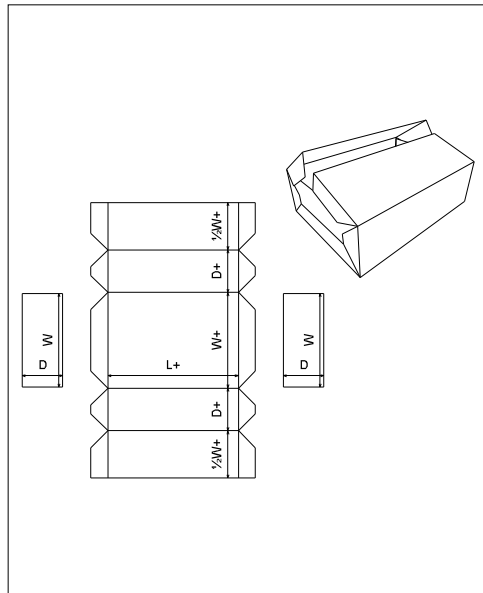
FEFCO 0610



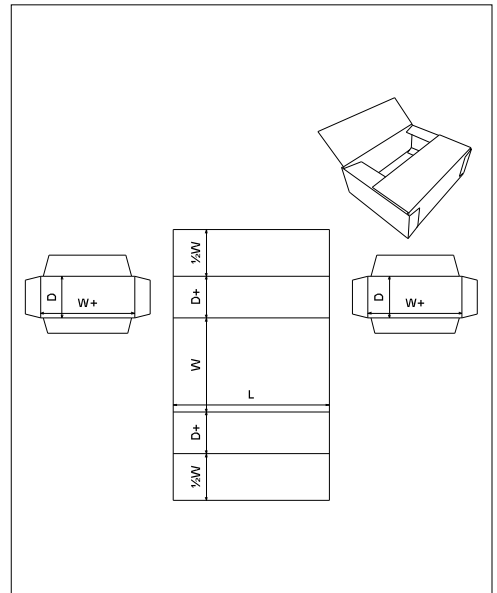
FEFCO 0608



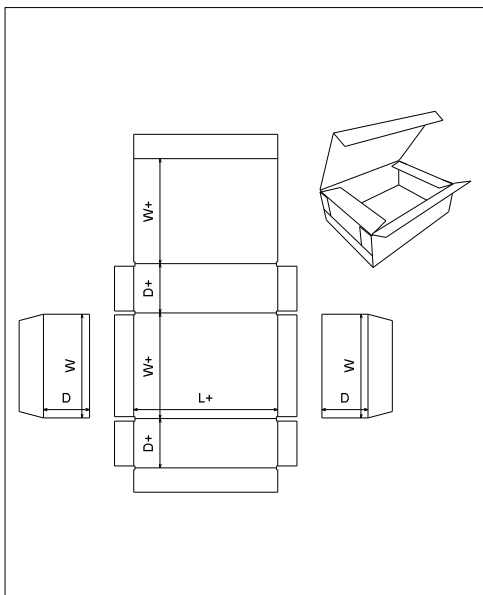
FEFCO 0607



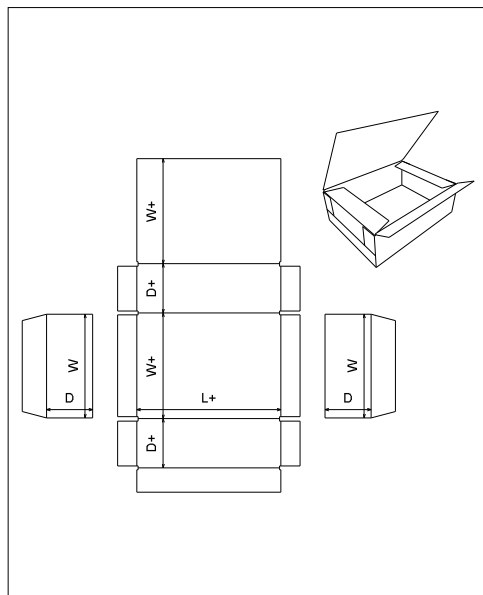
FEFCO 0606



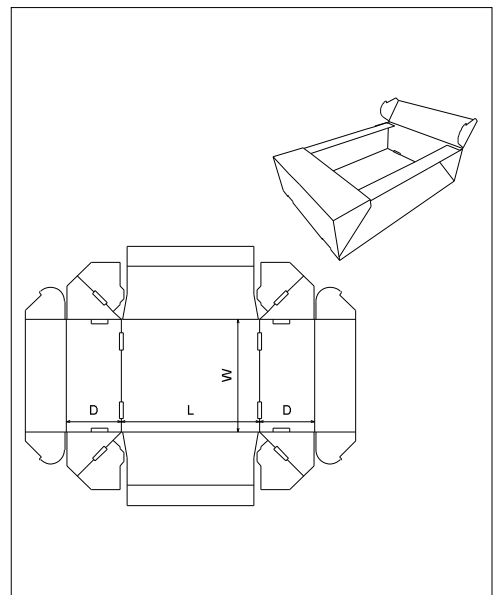
FEFCO 0605



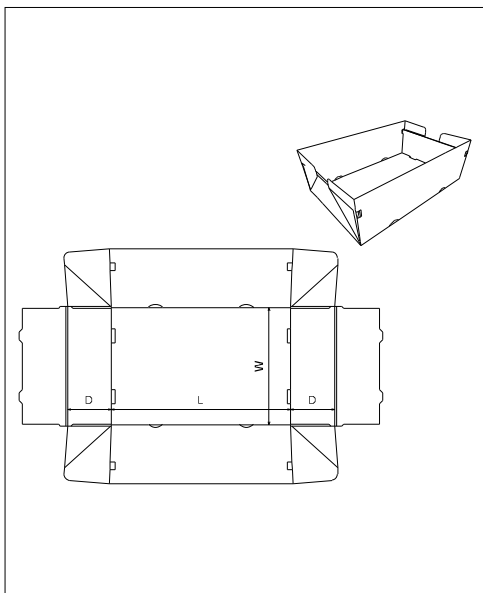
FEFCO 0602



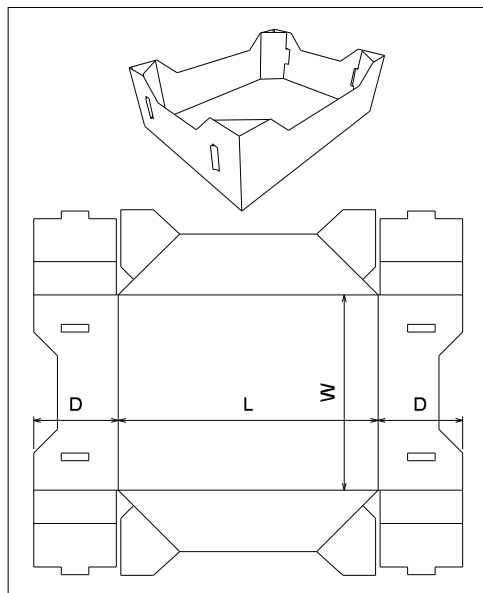
FEFCO 0601



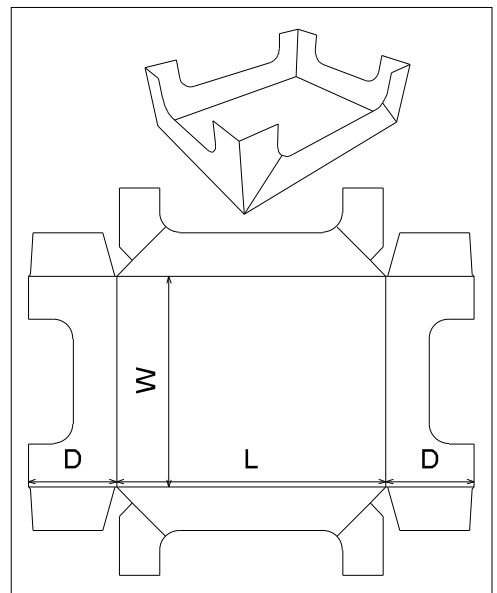
FEFCO 0773



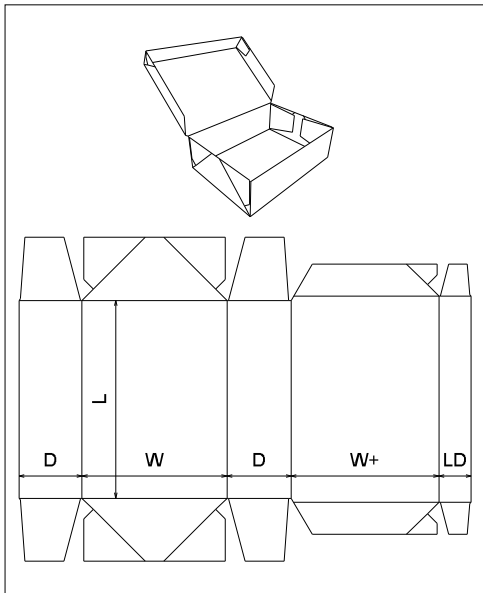
FEFCO 0772



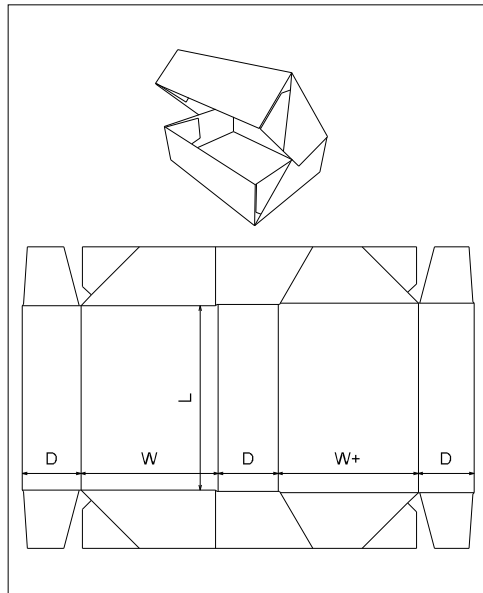
FEFCO 0771



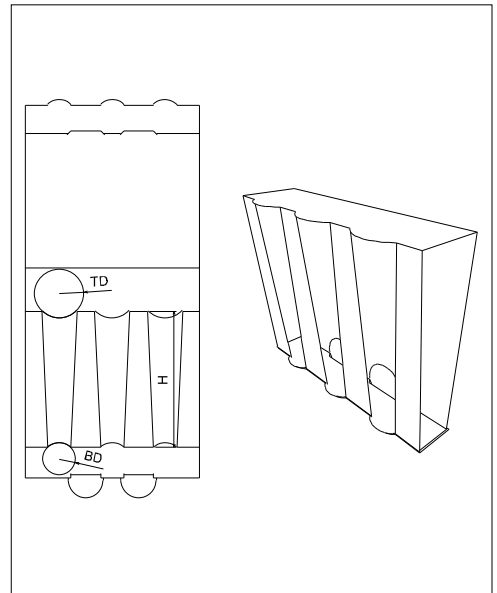
FEFCO 0770



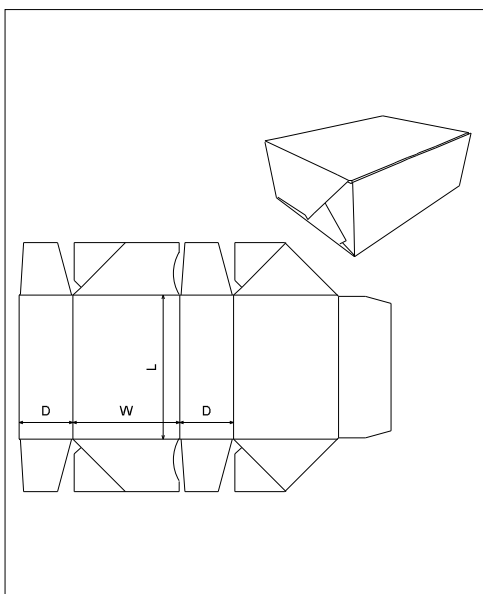
FEFCO 0761



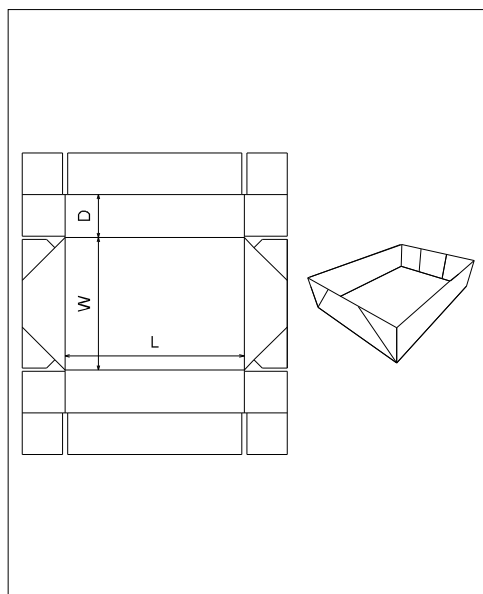
FEFCO 0759



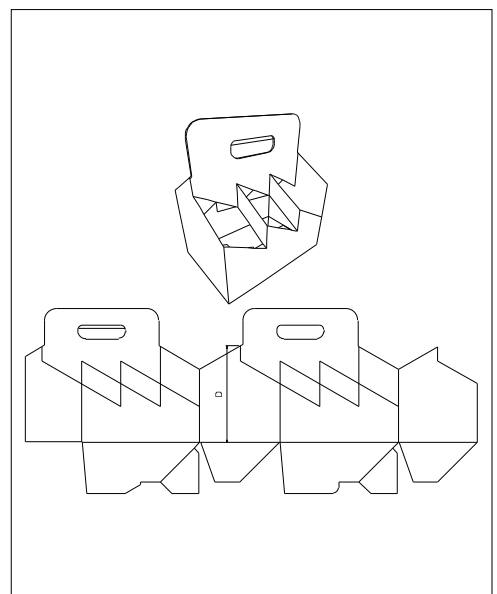
FEFCO 0752 - Glass Pack



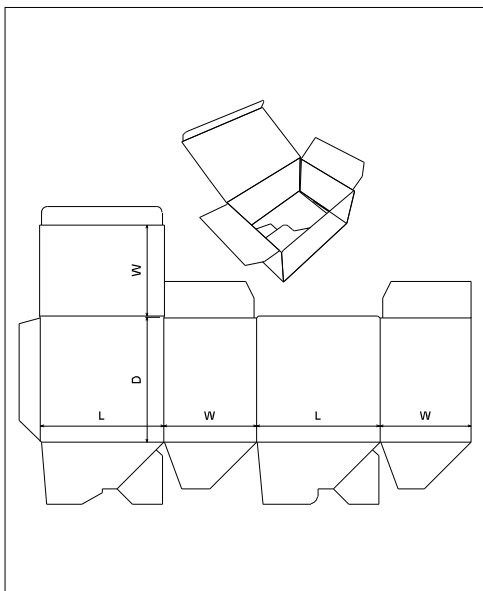
FEFCO 0751



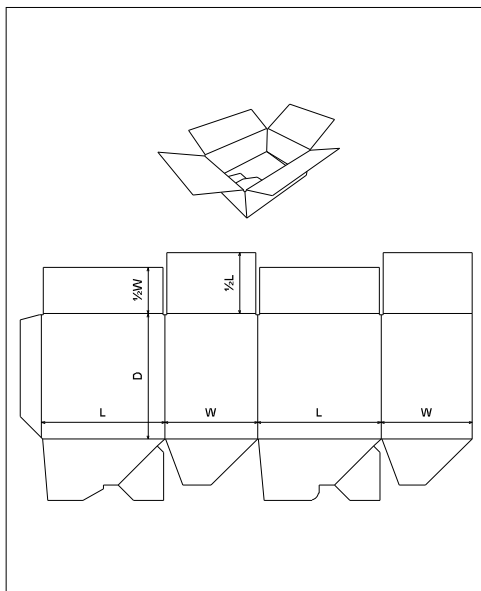
FEFCO 0718



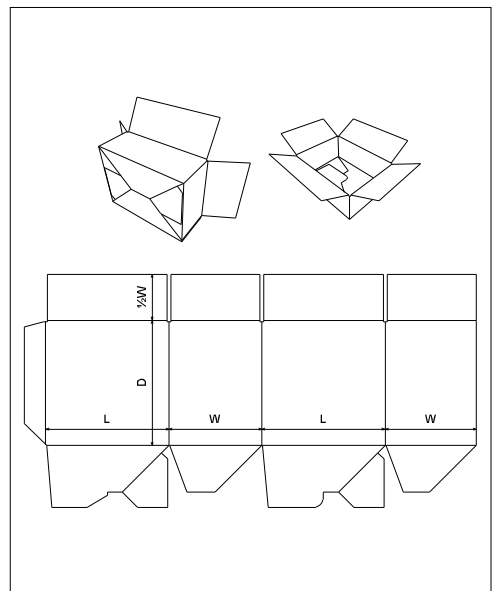
FEFCO 0717 - Bottle Carrier



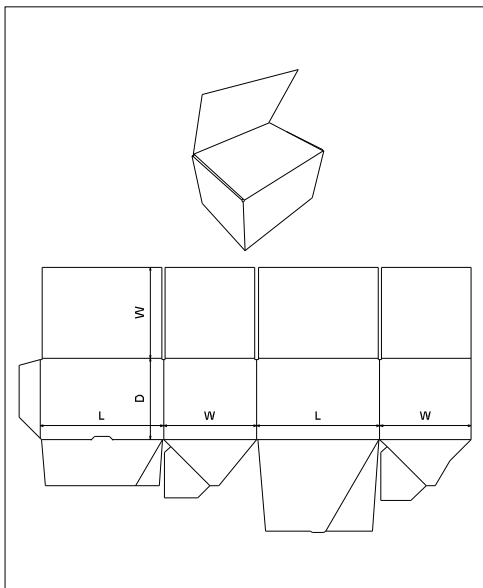
FEFCO 0713



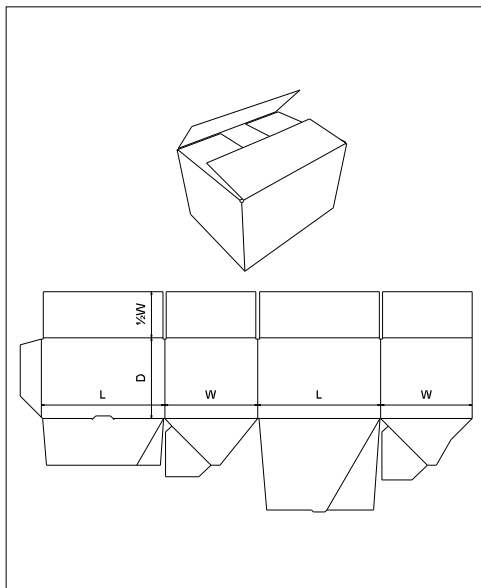
FEFCO 0712



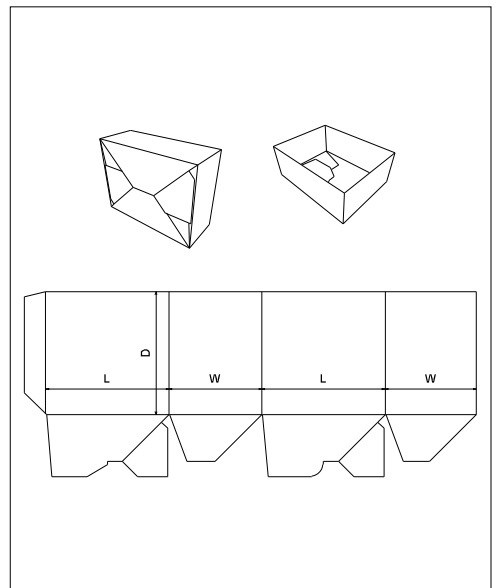
FEFCO 0711



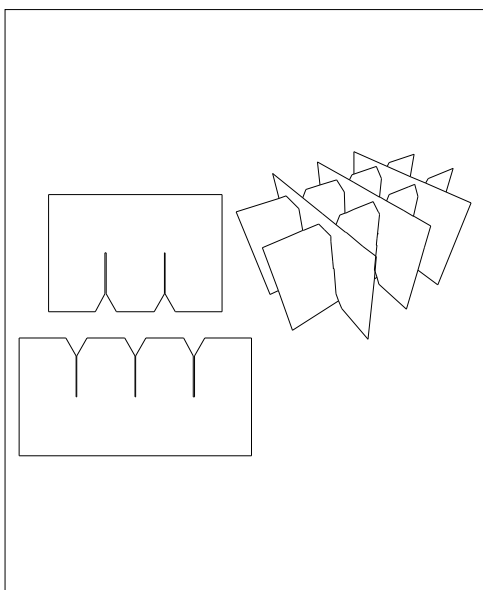
FEFCO 0703



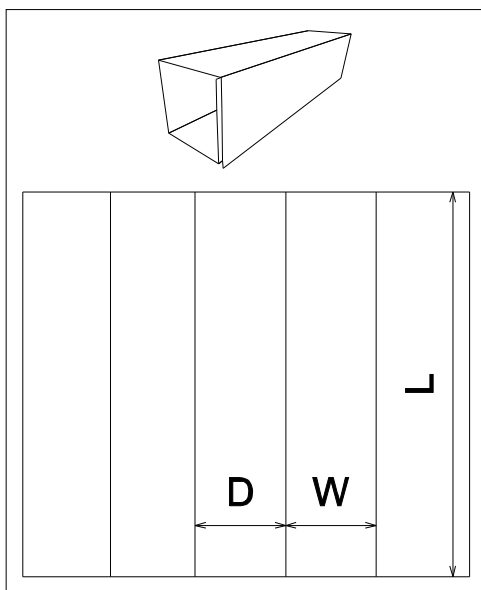
FEFCO 0701



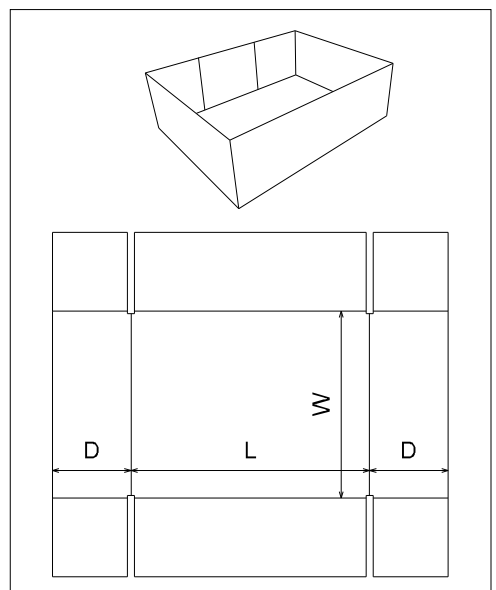
FEFCO 0700



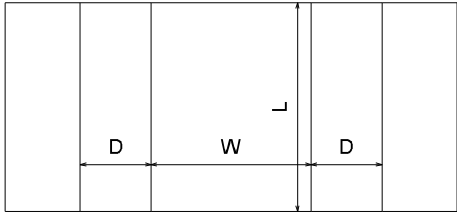
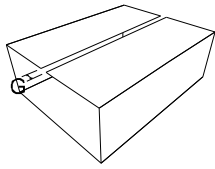
FEFCO 0933



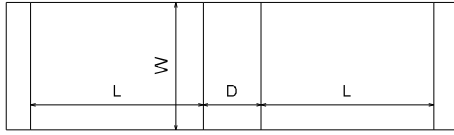
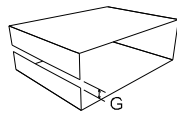
FEFCO 0914



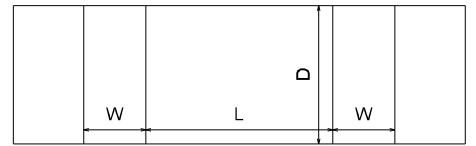
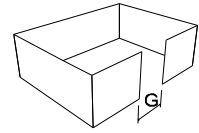
FEFCO 0911



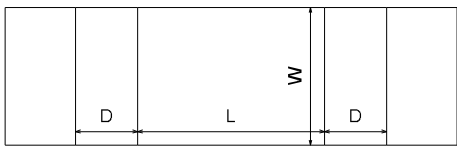
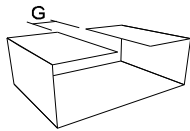
FEFCO 0910



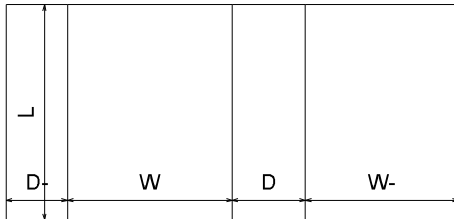
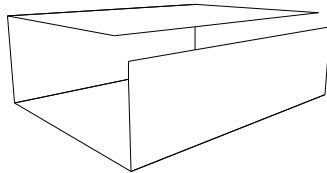
FEFCO 0909



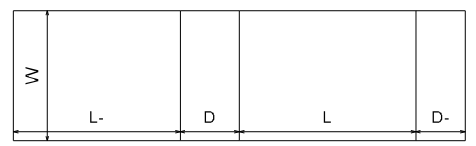
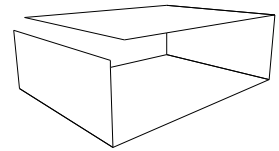
FEFCO 0908



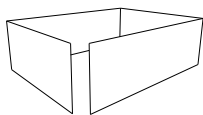
FEFCO 0907



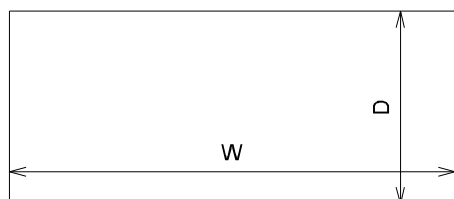
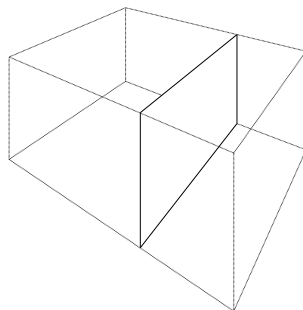
FEFCO 0906



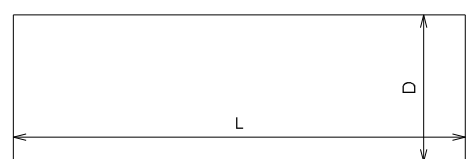
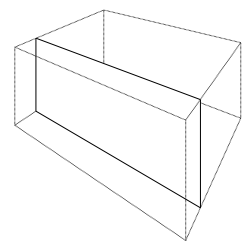
FEFCO 0905



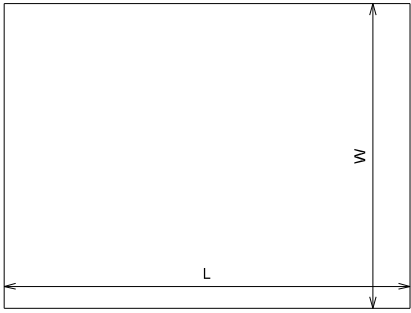
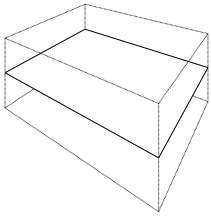
FEFCO 0904



FEFCO 0903



FEFCO 0902



FEFCO 0901